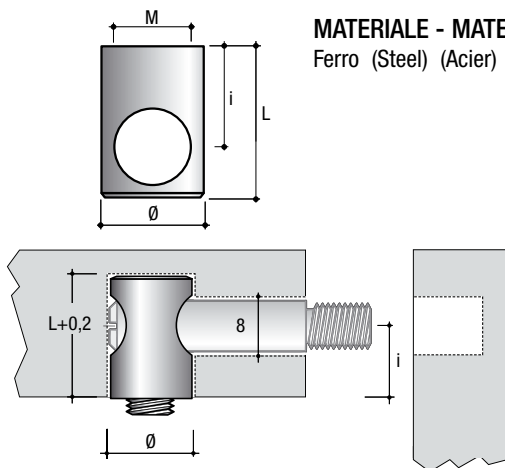


Sistema di assemblaggio "Housing"

Connecting fitting "Housing" • Ferrure d'assemblage "Housing"

Barilotto Ø 12.

Housing Ø 12.
Boîtier Ø 12.



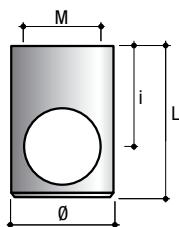
MATERIALE - MATERIAL - MATIÈRE
Ferro (Steel) (Acier)

FINITURA - FINISH - FINITION
FZ - FZN - FZT

Art.	Ø	L	M	i			
B055	12	14	M8	9	18	2.500	13,9
B056	12	21	M8	12,5	25	1.250	12,9

Barilotto Ø 14.

Housing Ø 14.
Boîtier Ø 14.



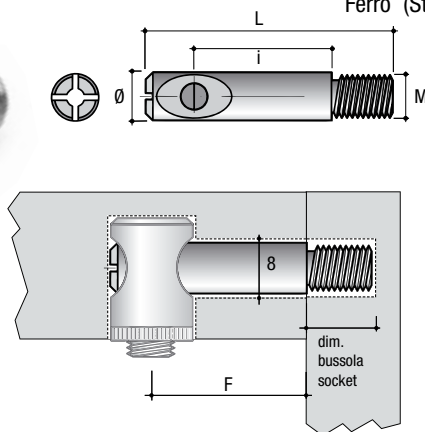
MATERIALE - MATERIAL - MATIÈRE
Ferro (Steel) (Acier)

FINITURA - FINISH - FINITION
FZ - FZN - FZT

Art.	Ø	L	M	i			
B057	14	17	M8	10	20	1.250	15

Tirante.

Dowel.
Goujon.



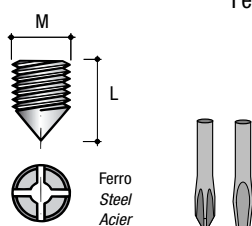
MATERIALE - MATERIAL - MATIÈRE
Ferro (Steel) (Acier)

FINITURA - FINISH - FINITION
FZ

Art.	Ø	L	M	i	F		
TF01	7	33,5	M6	18,5	20	2.000	14,6
TF02	7	35	M6	20	21,5	2.000	15,5
TF03	7	43,5	M6	28,5	30	2.000	20,4
TF04	7	45	M6	30	31,5	2.000	21,6
TF56	8	37	M6	21	22,5	1.250	12,5

Grano M8.

Conic screw M8.
Vis pointeau M8.



MATERIALE - MATERIAL - MATIÈRE
Ferro (Steel) (Acier)

FINITURA - FINISH - FINITION
FZ - FZT - FZN

Art.	M	L	Mater.		
GR80	M8	9	Ferro - Steel - Acier	8.000	16,2
GR17	M8	12,5	Ferro - Steel - Acier	5.000	15,4