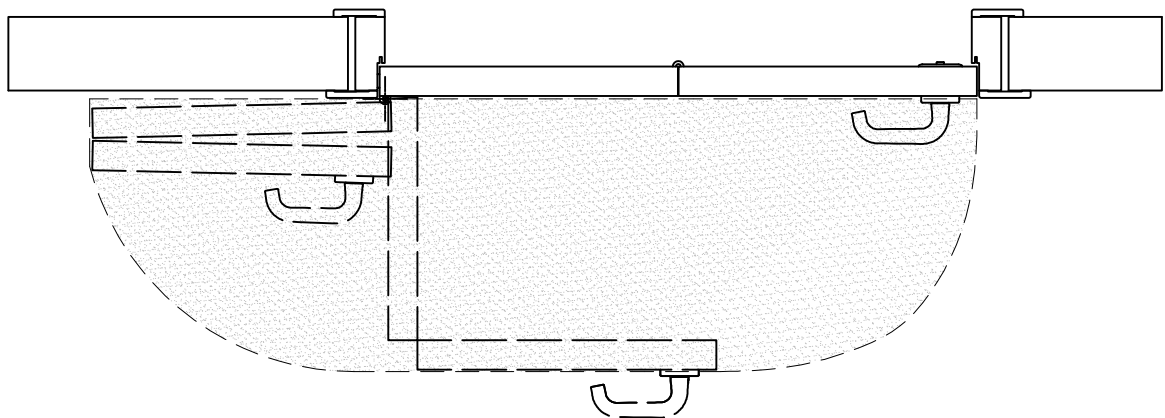


technical construction manual



COMPACT LIVING 180°

patent pending

Italian design innovation and quality

Bonetti **Massimo** Design

The **COMPACT LIVING 180** system brings you new design solutions for living spaces. Compact, quiet and soundproofed, **COMPACT LIVING 180** is an alternative to swing doors, doors sliding inside and outside walls, folding doors and rototranslating doors. **COMPACT LIVING 180** is also ideal for partitions and walk-in closets.

The **COMPACT LIVING 180** hardware system inserted between the upper edge of the door and the upper jamb crosspiece makes the door open on one side of the wall allowing to compensate for door clearance.

COMPACT LIVING 180 is designed to simplify installation to the maximum. Operations are quick and easy.

There are no **constraints of width or height with COMPACT LIVING 180**. The **overall weight limit** of the two door leaves is 50 kg and the **maximum thickness** of each leaf depends on the thickness of the frame (page 5 - 6).

COMPACT LIVING 180 uses traditional locks (with double handle or double knob) or special **COMPACT LIVING** locks (with a normal handle on one side and recessed handle on the other). **COMPACT LIVING'S** lock permits to use the recessed handle for the retraction of the latch. All this is done with a rotation of 180°.

COMPACT LIVING 180 hardware provides stable, silent and ergonomic door movements. A rabbet on three sides ensures excellent soundproofing.

COMPACT LIVING 180 leaves designers totally free to choose the technical solutions and appearance of the door they want. Many door versions can be made to provide answers to multifarious customer needs and for managing non-standard sizes.

The **COMPACT LIVING 180** hardware comprises steel plates that are interconnected via plastic O-ring.



The hardware is easily cleanable with a soft cloth, being careful not to move the door while cleaning.

Never insert your hand into the mechanism while installing or moving the doors.

Please give to the final user the info sheet contained inside the package.

The company reserved the right to make, at any time, without prior notice, all technical changes it considers appropriate to improve the quality and the correct functionality of the products.

INDEX

Introduction page 1

Constructive examples. page 3

Exploded view of the hardware. page 4

Vertical section page 5

Horizontal section. page 6

Dimensional diagram of the door - symmetric leaves (**version 1**). page 7

Dimensional diagram of the door - asymmetric leaves, handle leaves from 0 to +50 larger (**version 2**). . . page 8

Dimensional diagram of the door - asymmetric leaves, handle leaves from 0 to -50 lower (**version 3**). . . page 9

Dimensional diagram of the door - asymmetric leaves, handle leaves from +100 to +150 larger(**version 4**) page 10

Dimensional diagram of the door - asymmetric leaves, handle leaves from +150 to +200 larger(**version 5**) page 11

Dimensional summaries for single opening door page 12

Dimensional drawing for double opening door. page 13

Dimensional summaries for double opening door. page 14

Wooden components. page 15

Door leaf hinge side page 16

Door leaf handle side page 17

Optional components details. page 18

Vertical jamb hinge side page 19

Vertical jamb lock side. page 20

Upper crossbeam. page 21

Assembling hardware on the leaves. page 22

Assembling hardware on the jamb. page 23

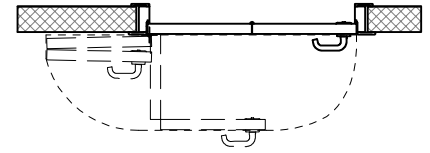
Door installation page 24

Adjustment of secondary stop page 25

CONSTRUCTIVE EXAMPLES

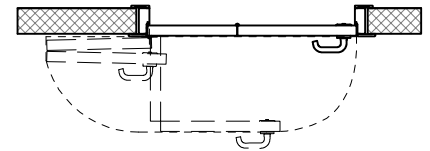
Version 1
symmetric door leaves

By using the handle only on one side and the recessed handle on the other, is necessary to apply the magnetic lock **COMPACT**.
Version possible with all available items RIGHT/LEFT.



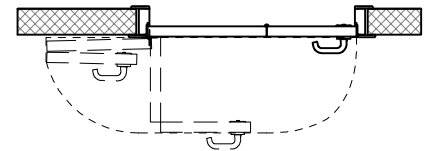
Version 2
asymmetric door leaves with handle leaf from 0 to + 50 larger

By using the handle only on one side and the recessed handle on the other, is necessary to apply the magnetic lock **COMPACT**.
Version possible with all available items RIGHT/LEFT.



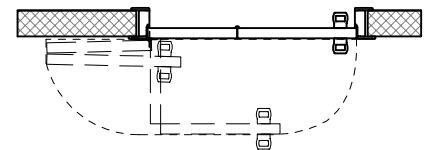
Version 3
asymmetric door leaves with handle leaf from 0 to - 50 lower

By using the handle only on one side and the recessed handle on the other, is necessary to apply the magnetic lock **COMPACT**.
Version possible with 4 items RIGHT/LEFT.



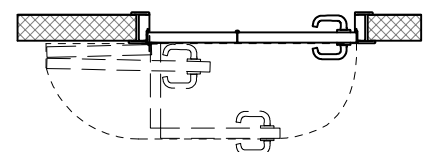
Version 4
asymmetric door leaves with handle leaf from 100 to + 150 larger

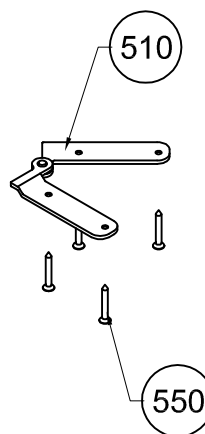
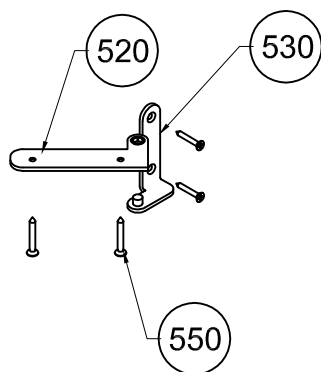
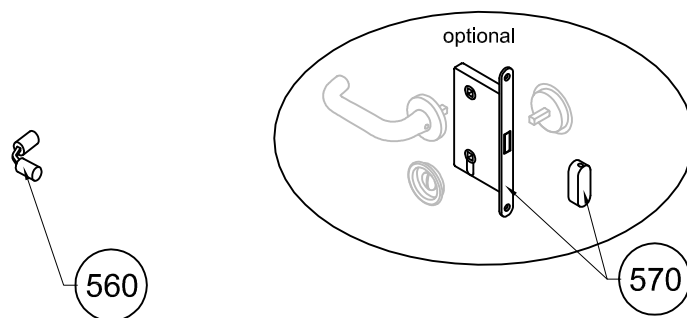
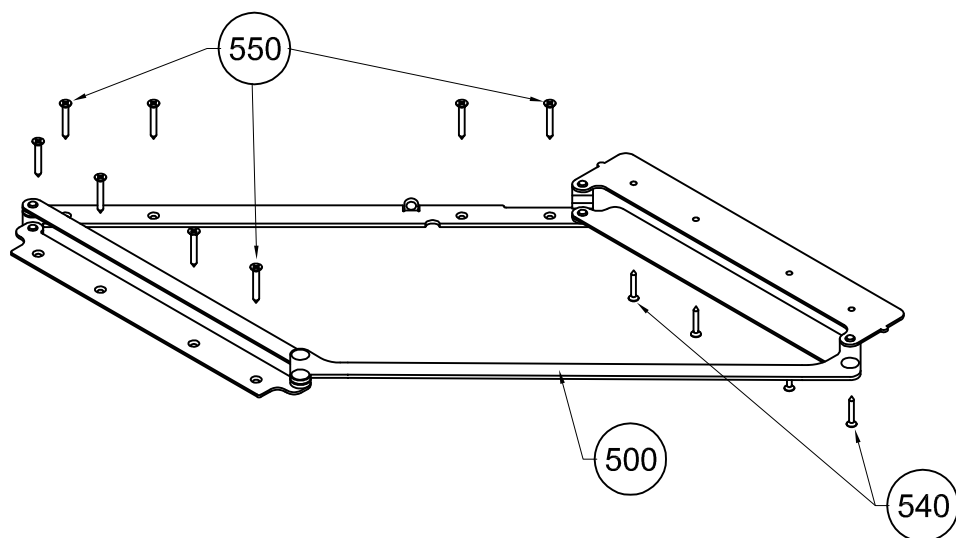
Traditional lock with knobs or half handles.
Version possible with all available items RIGHT/LEFT.



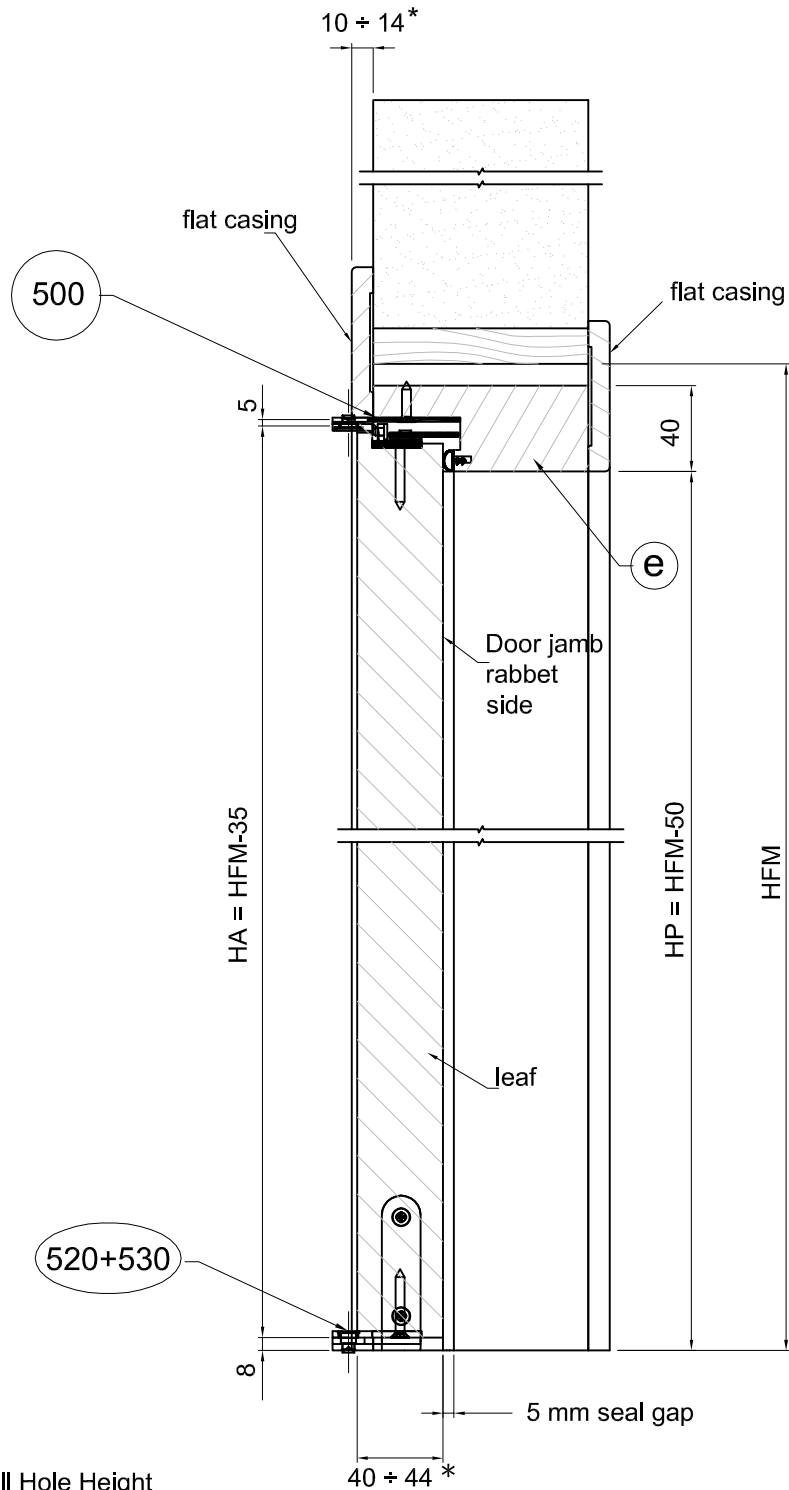
Version 5
asymmetric door leaves with handle leaf from 150 to + 200 larger

Traditional lock with traditional handles.
Version possible with all available items RIGHT/LEFT.





Part list		
ref.	qty	description
500	1	Compack system Dx o Sx
510	1	Central hinge lower
520	1	Lateral hinge lower for leaf Dx o Sx
530	1	Lateral hinge lower for jamb Dx o Sx
540	4	Screws TSPtrx Ø 4x20
550	16	Screws TSPtrx Ø 4x30
560	1	Invisible hinge for alignment leaves
570	1	Magnetic lock Compack with strikers (optional)

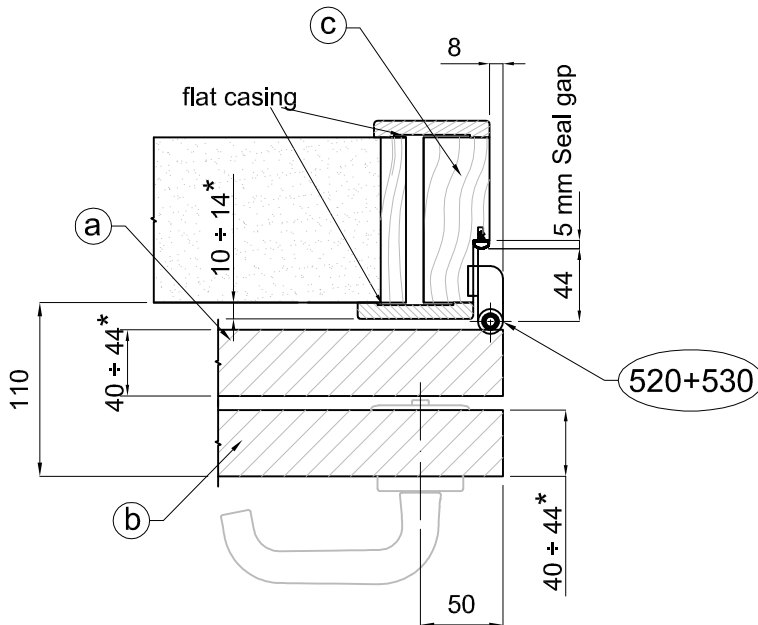
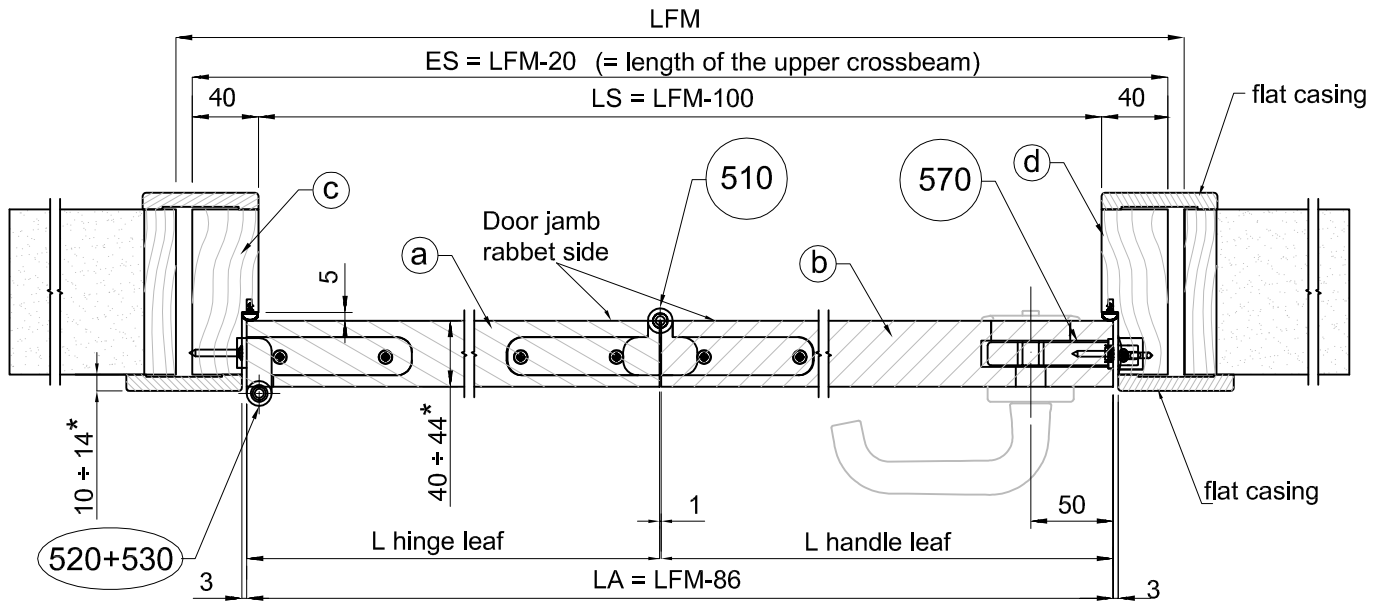


HFM = Wall Hole Height
HP = Passage Dimension
HA = Leaf Height

(*) Leaf/track cover moulding thickness ratio	
leaf thickness	flat casing thickness
40	10 ÷ 14
42	10 ÷ 12
44	10

Part list		
ref	qty	description
500	1	Compack system Dx o Sx
520	1	Lateral hinge lower for leaf Dx o Sx
530	1	Lateral hinge lower for jamb Dx o Sx
e	1	Upper crossbeam

Example of Left Door
(Right door is symmetric)

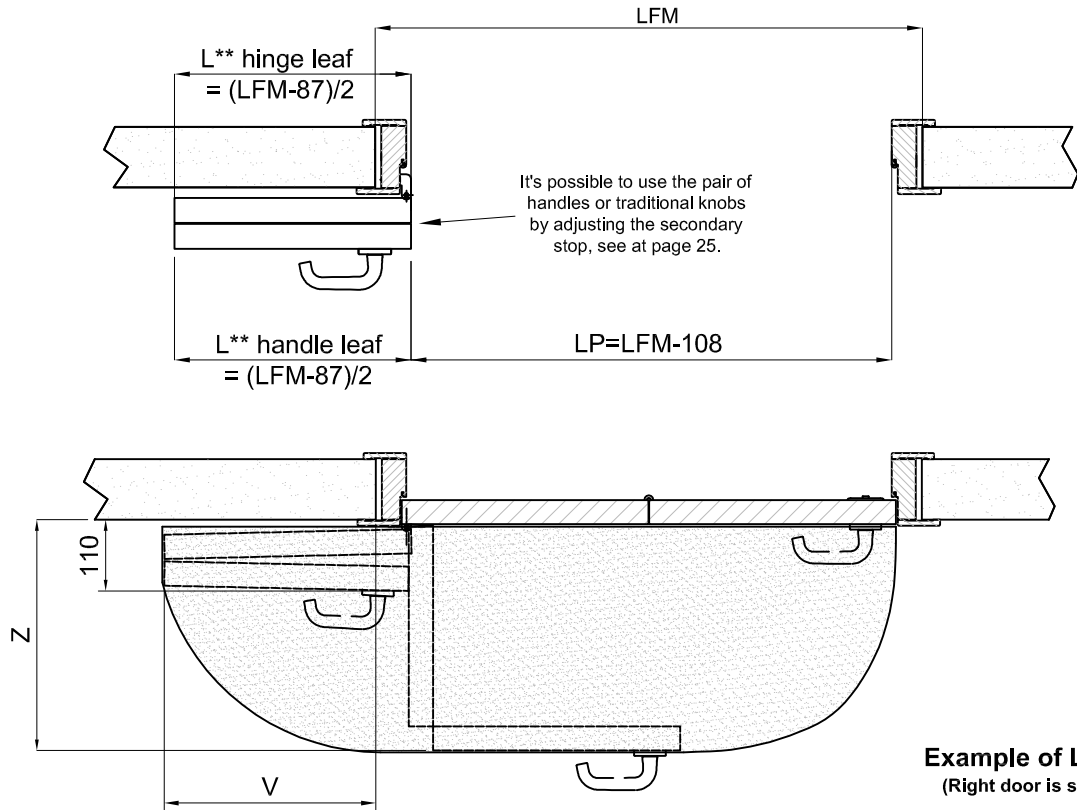


LFM = Wall Hole Width
ES = Outer Jamb
LS = Door Jamb Opening
LA = Leaf Width

(*) Leaf/track cover moulding thickness ratio	
leaf thickness	flat casing thickness
40	10 ± 14
42	10 ± 12
44	10

Part list		
ref	qty	description
510	1	Central hinge lower
520	1	Lateral hinge lower for leaf Dx o Sx
530	1	Lateral hinge lower for jamb Dx o Sx
570	1	Magnetic lock Compack with strikers (optional)
a	1	Hinge leaf
b	1	Handle leaf
c	1	Hinge side door jamb
d	1	Handle side door jamb

(Version 1) - symmetric leaves							
LFM	LP	L** hinge leaf	L** handle leaf	Z encumbrance in opening	V encumbrance on the wall	art. Compact	
700	592	306,5	306,5	355	250	800A60DX	800A60SX
800	692	356,5	356,5	405	300	800A70DX	800A70SX
900	792	406,5	406,5	455	350	800A80DX	800A80SX
1000	892	456,5	456,5	505	400	800B90DX	800B90SX
1100	992	506,5	506,5	555	450	800B100DX	800B100SX

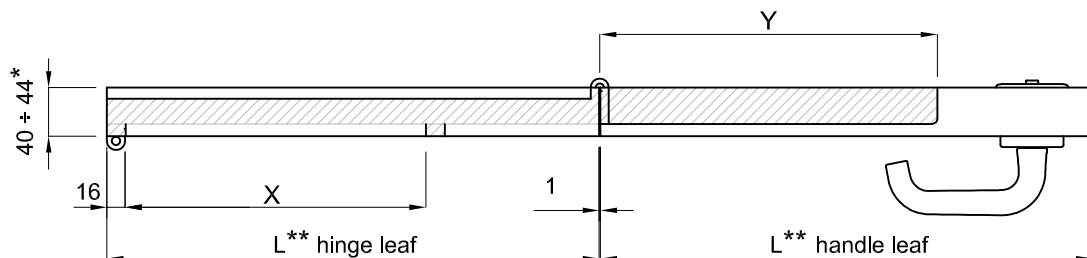


Example of Left Door
(Right door is symmetric)

- LFM** = Wall Hole Width
- LP** = Passage Dimension
- Z** = Encumbrance in opening
- V** = Encumbrance on the wall

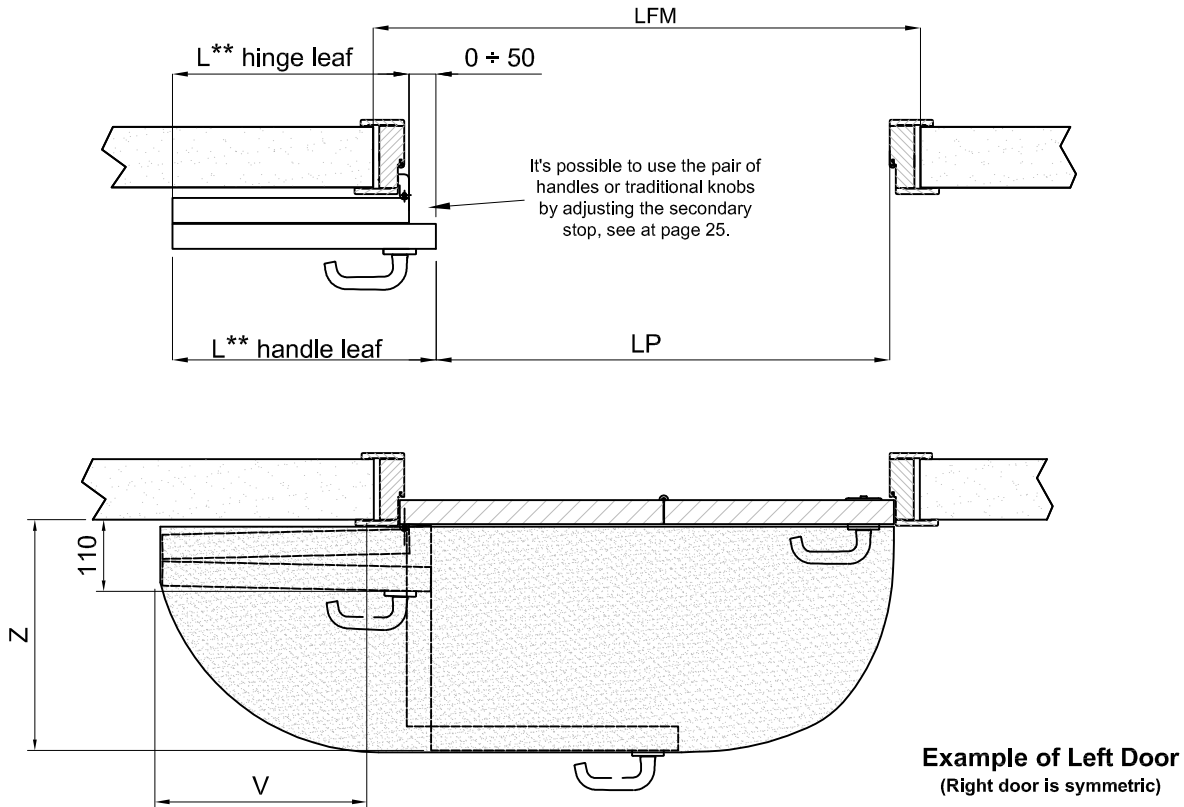
Upper hardware seat diagram
see specifications pages 16 - 17

(Version 1) - symmetric leaves					
art. COMPACT		L** hinge leaf	dimension X	L** handle leaf	dimension Y
800A60DX	800A60SX	306,5	258	306,5	283,5
800A70DX	800A70SX	356,5	258	356,5	283,5
800A80DX	800A80SX	406,5	258	406,5	283,5
800B90DX	800B90SX	456,5	358	456,5	383,5
800B100DX	800B100SX	506,5	358	506,5	383,5



(**) Hinge leaf and handle leaf widths are calculated with a reciprocal distance of 1 mm.

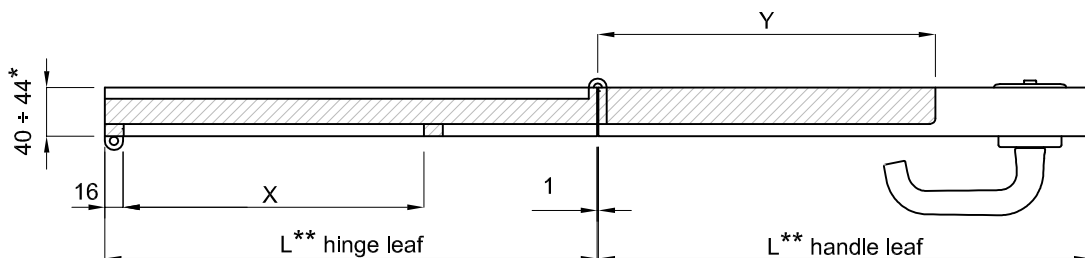
(Version 2) - asymmetric leaves (handle leaf from 0 to +50)							
LFM	LP	L** hinge leaf	L** handle leaf	Z encumbrance in opening	V encumbrance on the wall	art. Compact	
700 ÷ 750	592	306,5	306,5 ÷ 356,5	355	250	800A60DX	800A60SX
800 ÷ 850	692	356,5	356,5 ÷ 406,5	405	300	800A70DX	800A70SX
900 ÷ 950	792	406,5	406,5 ÷ 456,5	455	350	800A80DX	800A80SX
1000 ÷ 1050	892	456,5	456,5 ÷ 506,5	505	400	800B90DX	800B90SX
1100 ÷ 1150	992	506,5	506,5 ÷ 556,5	555	450	800B100DX	800B100SX



- LFM** = Wall Hole Width
- LP** = Passage Dimension
- Z** = Encumbrance in opening
- V** = Encumbrance on the wall

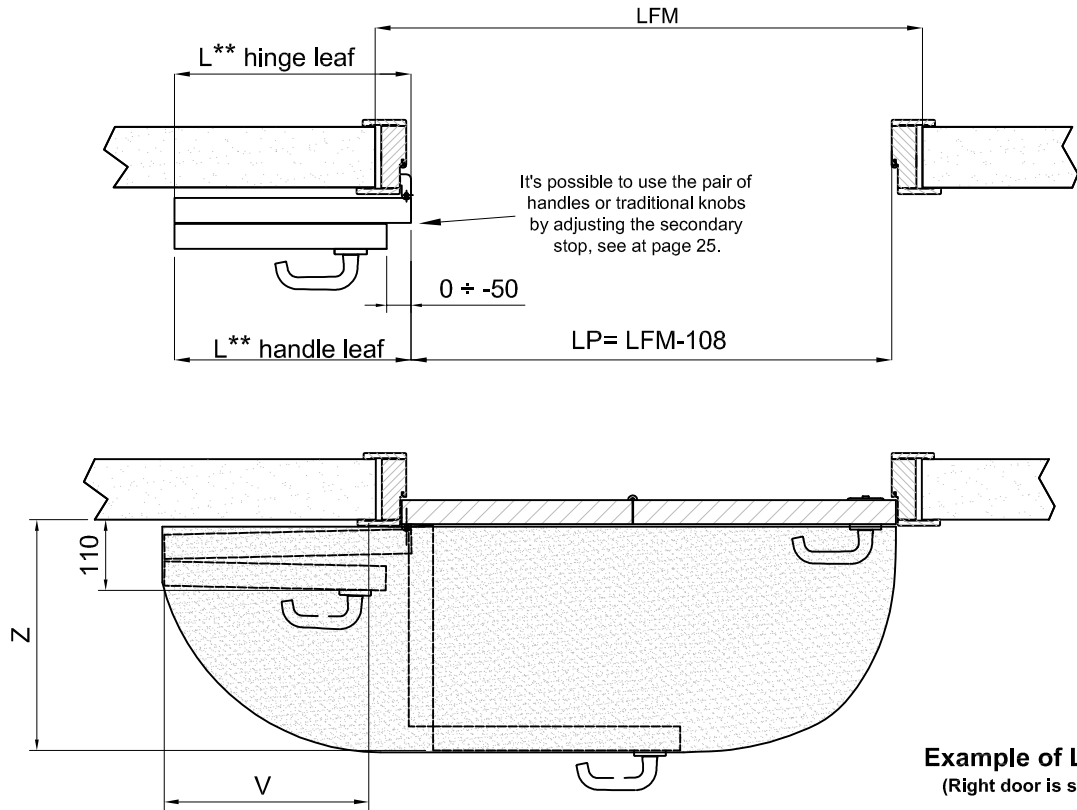
Upper hardware seat diagram
see specifications pages 16 - 17

(Version 2) - asymmetric leaves (handle leaf from 0 to +50)					
art. COMPACT		L** hinge leaf	dimension X	L** handle leaf	dimension Y
800A60DX	800A60SX	306,5	258	306,5 ÷ 356,5	283,5
800A70DX	800A70SX	356,5	258	356,5 ÷ 406,5	283,5
800A80DX	800A80SX	406,5	258	406,5 ÷ 456,5	283,5
800B90DX	800B90SX	456,5	358	456,5 ÷ 506,5	383,5
800B100DX	800B100SX	506,5	358	506,5 ÷ 556,5	383,5



(**) Hinge leaf and handle leaf widths are calculated with a reciprocal distance of 1 mm.

(Version 3) - asymmetric leaves (handle leaf from 0 to -50 lower)							
LFM	LP	L** hinge leaf	L** handle leaf	Z encumbrance in opening	V encumbrance on the wall	art. Compact	
750 + 800	642 + 692	356,5	306,5 ÷ 356,5	405	300	800A70DX	800A70SX
850 + 900	742 + 792	406,5	356,5 ÷ 406,5	455	350	800A80DX	800A80SX
950 + 1000	842 + 892	456,5	406,5 ÷ 456,5	505	400	800B90DX	800B90SX
1050 + 1100	942 + 992	506,5	456,5 ÷ 506,5	555	450	800B100DX	800B100SX

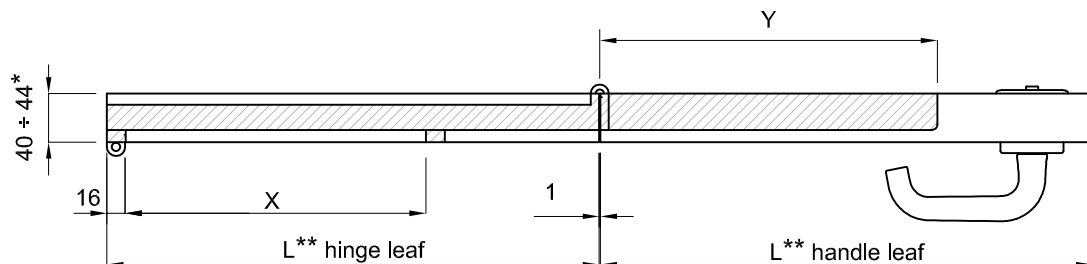


Example of Left Door
(Right door is symmetric)

- LFM** = Wall Hole Width
- LP** = Passage Dimension
- Z** = Encumbrance in opening
- V** = Encumbrance on the wall

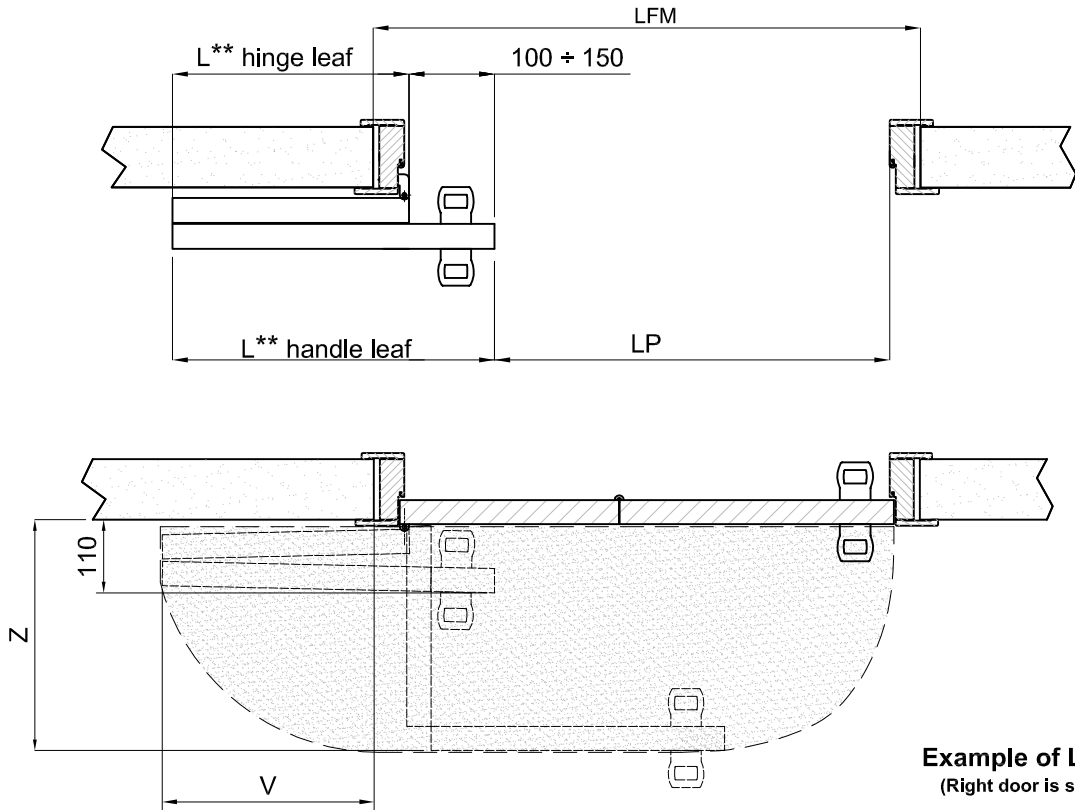
Upper hardware seat diagram
see specifications pages 16 - 17

(Version 3) - asymmetric leaves (handle leaf from 0 to -50 lower)					
art. COMPACT		L** hinge leaf	dimension X	L** handle leaf	dimension Y
800A70DX	800A70SX	356,5	258	306,5 ÷ 356,5	283,5
800A80DX	800A80SX	406,5	258	356,5 ÷ 406,5	283,5
800B90DX	800B90SX	456,5	358	406,5 ÷ 456,5	383,5
800B100DX	800B100SX	506,5	358	456,5 ÷ 506,5	383,5



(**)Hinge leaf and handle leaf widths are calculated with a reciprocal distance of 1 mm.

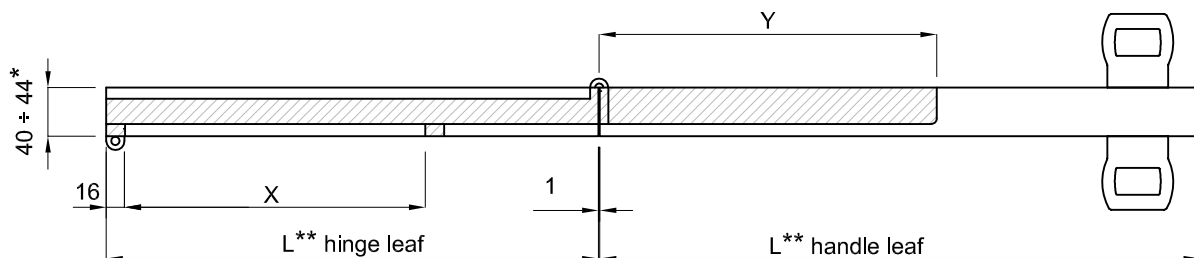
(Version 4) - asymmetric leaves (handle leaf from +100 to +150 larger)							
LFM	LP	L** hinge leaf	L** handle leaf	Z encumbrance in opening	V encumbrance on the wall	art. Compact	
800 ÷ 850	592	306,5	406,5 ÷ 456,5	355	250	800A60DX	800A60SX
900 ÷ 950	692	356,5	456,5 ÷ 506,5	405	300	800A70DX	800A70SX
1000 ÷ 1050	792	406,5	506,5 ÷ 556,5	455	350	800A80DX	800A80SX
1100 ÷ 1150	892	456,5	556,5 ÷ 606,5	505	400	800B90DX	800B90SX
1200 ÷ 1250	992	506,5	606,5 ÷ 656,5	555	450	800B100DX	800B100SX



- LFM** = Wall Hole Width
- LP** = Passage Dimension
- Z** = Encumbrance in opening
- V** = Encumbrance on the wall

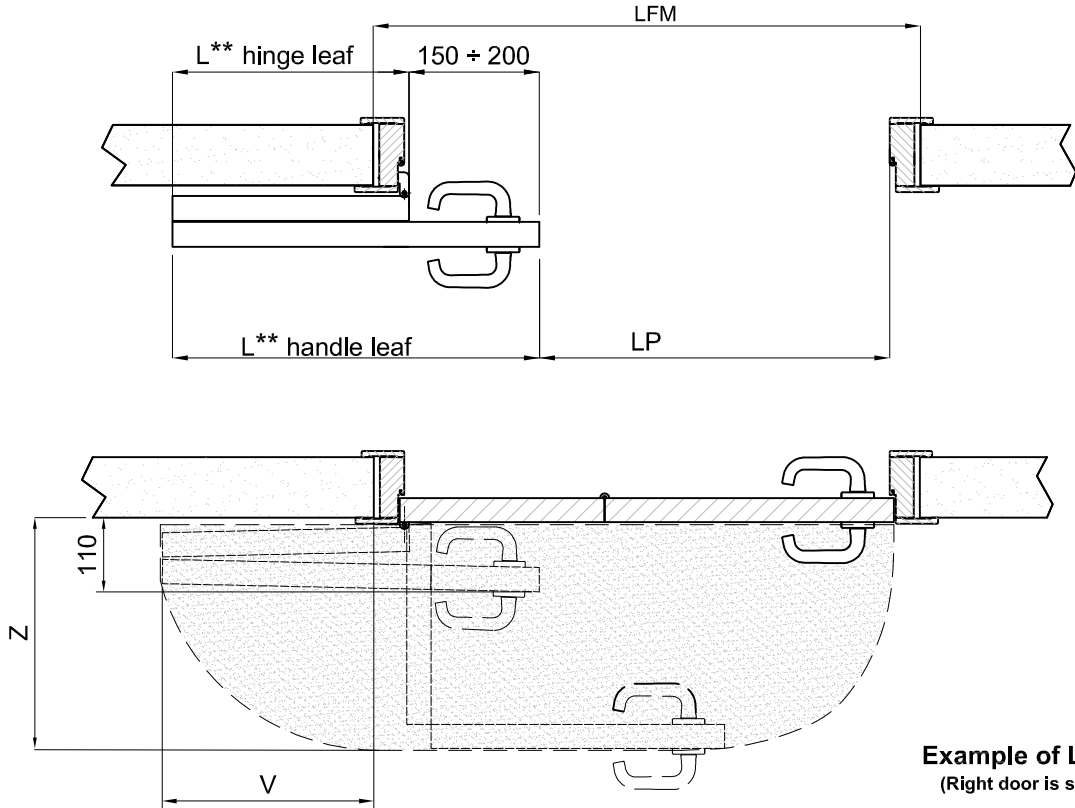
Upper hardware seat diagram
see specifications pages 16 - 17

(Version 4) - asymmetric leaves (handle leaf from +100 to +150 larger)					
art. COMPACT		L** hinge leaf	dimension X	L** handle leaf	dimension Y
800A60DX	800A60SX	306,5	258	406,5 ÷ 456,5	283,5
800A70DX	800A70SX	356,5	258	456,5 ÷ 506,5	283,5
800A80DX	800A80SX	406,5	258	506,5 ÷ 556,5	283,5
800B90DX	800B90SX	456,5	358	556,5 ÷ 606,5	383,5
800B100DX	800B100SX	506,5	358	606,5 ÷ 656,5	383,5



(**)Hinge leaf and handle leaf widths are calculated with a reciprocal distance of 1 mm.

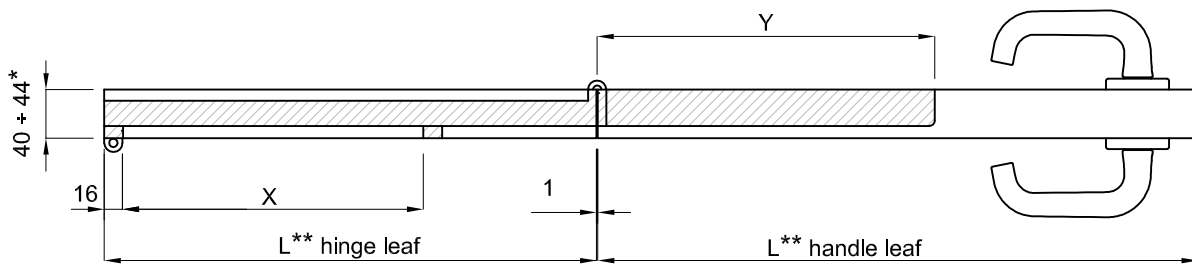
(Version 5) - asymmetric leaves (handle leaf from +150 to +200 larger)							
LFM	LP	L** hinge leaf	L** handle leaf	Z encumbrance in opening	V encumbrance on the wall	art. Compact	
850 + 900	592	306,5	456,5 + 506,5	355	250	800A60DX	800A60SX
950 + 1000	692	356,5	506,5 + 556,5	405	300	800A70DX	800A70SX
1050 + 1100	792	406,5	556,5 + 606,5	455	350	800A80DX	800A80SX
1150 + 1200	892	456,5	606,5 + 656,5	504	400	800B90DX	800B90SX
1250 + 1300	992	506,5	656,5 + 706,5	555	450	800B100DX	800B100SX



- LFM** = Wall Hole Width
- LP** = Passage Dimension
- Z** = Encumbrance in opening
- V** = Encumbrance on the wall

Upper hardware seat diagram
see specifications pages 16 - 17

(Version 5) - asymmetric leaves (handle leaf from +150 to +200 larger)					
art. COMPACT		L** hinge leaf	dimension X	L** handle leaf	dimension Y
800A60DX	800A60SX	306,5	258	456,5 + 506,5	283,5
800A70DX	800A70SX	356,5	258	506,5 + 556,5	283,5
800A80DX	800A80SX	406,5	258	556,5 + 606,5	283,5
800B90DX	800B90SX	456,5	358	606,5 + 656,5	383,5
800B100DX	800B100SX	506,5	358	656,5 + 706,5	383,5



(**)Hinge leaf and handle leaf widths are calculated with a reciprocal distance of 1 mm.

The following form is a summary all of possible realizable dimensions with the measurements, mentioned on the current manual.

COMPACT LIVING'S foresee a minimum wall opening (**LFM**) of 700 mm (with symmetric leaves **LP** 60 cm).

The maximum wall opening (**LFM**), with symmetric leaves is 1100 mm (**LP** 100 cm).

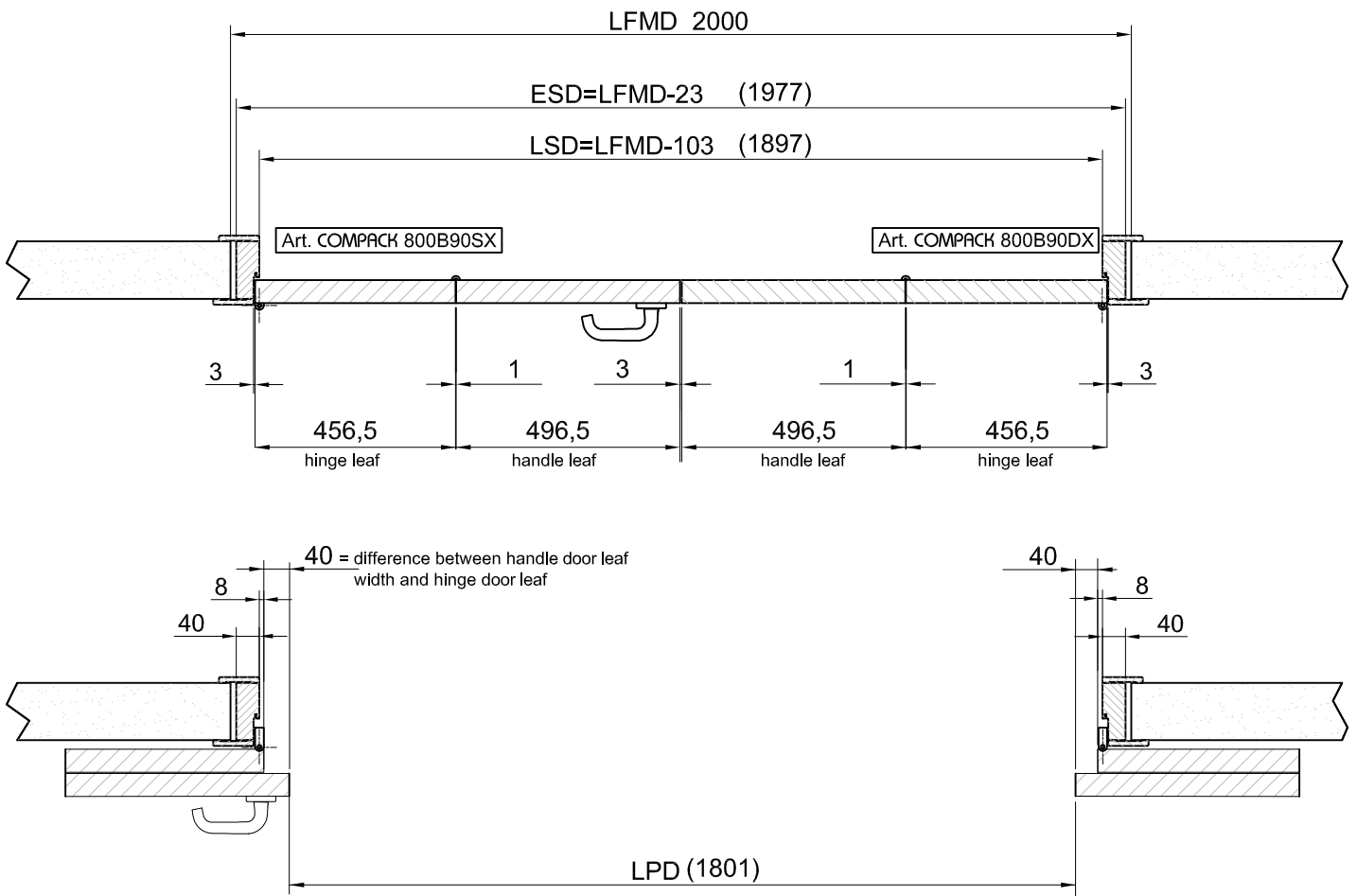
For measurements of **LFM** larger than 1100 mm is necessary to increase the dimensions of the handle door leaf.

Summary dimensions for single opening door

Wall Hole Width LFM	Version	Jut Handle Door Leaf	Passage Dimension LP	Fix Dimension L** hinge leaf	Working dimension x	Variable Dimension L** handle leaf	Working dimension y	Encumbrance in opening "Z"	Encumbrance on the wall "V"	art. Compack	
700	1	symmetric 0	592	306,5	258	306,5	283,5	355	250	800A60DX	800A60SX
700 + 750	2	asymmetric from 0 to +50	592	306,5	258	306,5 + 356,5	283,5	355	250	800A60DX	800A60SX
750 + 800	3	asymmetric from -50 to 0	642 + 692	356,5	258	306,5 + 356,5	283,5	405	300	800A70DX	800A70SX
800	1	symmetric 0	692	356,5	258	356,5	283,5	405	300	800A70DX	800A70SX
800 + 850	2	asymmetric from 0 to +50	692	356,5	258	356,5 + 406,5	283,5	405	300	800A70DX	800A70SX
800 + 850	4	asymmetric from +100 to +150	592	306,5	258	406,5 + 456,5	283,5	355	250	800A60DX	800A60SX
850 + 900	3	asymmetric from -50 to 0	742 + 792	406,5	258	356,5 + 406,5	283,5	455	350	800A80DX	800A80SX
850 + 900	5	asymmetric from +150 to +200	592	306,5	258	456,5 + 506,5	283,5	355	250	800A60DX	800A60SX
900	1	symmetric 0	792	406,5	258	406,5	283,5	455	350	800A80DX	800A80SX
900 + 950	2	asymmetric from 0 to +50	792	406,5	258	406,5 + 456,5	283,5	455	350	800A80DX	800A80SX
900 + 950	4	asymmetric from +100 to +150	692	356,5	258	456,5 + 506,5	283,5	405	300	800A70DX	800A70SX
950 + 1000	3	asymmetric from -50 to 0	842 + 892	456,5	358	406,5 + 456,5	383,5	505	400	800B90DX	800B90SX
950 + 1000	5	asymmetric from +150 to +200	692	356,5	258	506,5 + 556,5	283,5	405	300	800A70DX	800A70SX
1000	1	symmetric 0	892	456,5	358	456,5	383,5	505	400	800B90DX	800B90SX
1000 + 1050	2	asymmetric from 0 to +50	892	456,5	358	456,5 + 506,5	383,5	505	400	800B90DX	800B90SX
1000 + 1050	4	asymmetric from +100 to +150	792	406,5	258	506,5 + 556,5	283,5	455	350	800A80DX	800A80SX
1050 + 1100	3	asymmetric from -50 to 0	942 + 992	506,5	358	456,5 + 506,5	383,5	555	450	800B100DX	800B100SX
1050 + 1100	5	asymmetric from +150 to +200	792	406,5	258	556,5 + 606,5	283,5	455	350	800A80DX	800A80SX
1100	1	symmetric 0	992	506,5	358	506,5	383,5	555	450	800B100DX	800B100SX
1100 + 1150	2	asymmetric from 0 to +50	992	506,5	358	506,5 + 556,5	383,5	555	450	800B100DX	800B100SX
1100 + 1150	4	asymmetric from +100 to +150	892	456,5	358	556,5 + 606,5	383,5	505	400	800B90DX	800B90SX
1150 + 1200	5	asymmetric from +150 to +200	892	456,5	358	606,5 + 656,5	383,5	505	400	800B90DX	800B90SX
1200 + 1250	4	asymmetric from +100 to +150	992	506,5	358	606,5 + 656,5	383,5	555	450	800B100DX	800B100SX
1250 + 1300	5	asymmetric from +150 to +200	992	506,5	358	656,5 + 706,5	383,5	555	450	800B100DX	800B100SX

Dimensional example for the production of a double opening door

Attention: you need to use two hardwares **COMPACT LIVING**, one right and one left



- LFMD** = Double Wall Opening Width
- ESD** = External Jamb Double (LFMD-23)
- LSD** = Light Jamb Double (LFMD-103)
- LPD** = Width Passage Double Door Leaf

The following form is a summary all of possible realizable dimensions with the measurements, mentioned on the current manual.

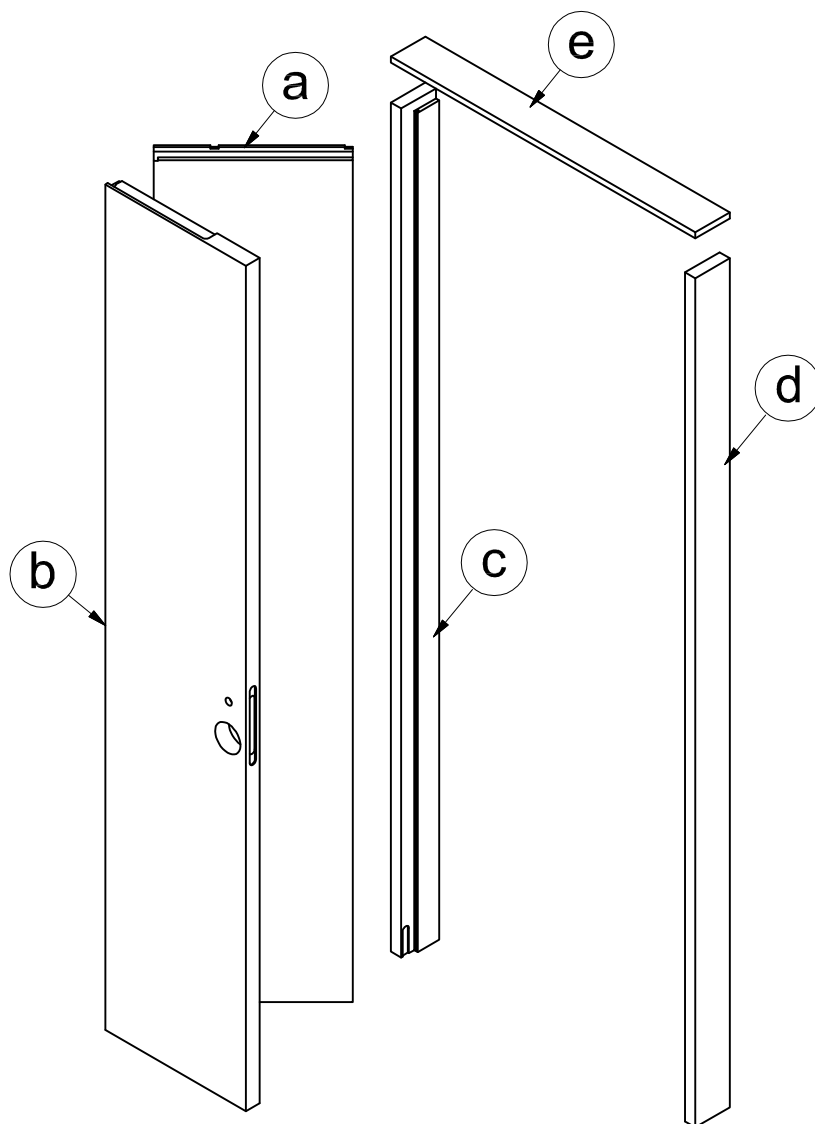
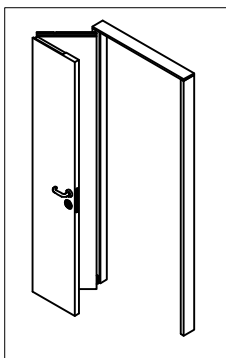
COMPACT LIVING'S foresee a minimum wall opening (**LFM**) of 700 mm (with symmetric leaves **LP** 60 cm).

The maximum wall opening (**LFM**), with symmetric leaves is 1100 mm (**LP** 100 cm).

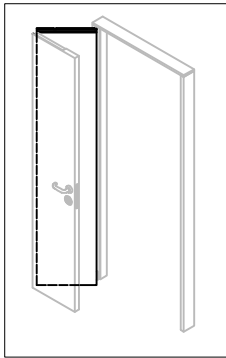
For measurements of **LFM** larger than 1100 mm is necessary to increase the dimensions of the handle door leaf.

Summary dimensions for double opening door

Wall Hole Width LFM	Version	Jut Handle Door Leaf	Passage Dimension LP	Fix Dimension L** hinge leaf	Working dimension x	Variable Dimension L** handle leaf	Working dimension y	Encumbrance in opening "Z"	Encumbrance on the wall "V"	art. Compack	
1320	1	symmetric 0	1201	306,5	258	306,5	283,5	355	250	800A60DX	800A60SX
1320 + 1420	2	asymmetric from 0 to +50	1201	306,5	258	306,5 + 356,5	283,5	355	250	800A60DX	800A60SX
1420 + 1520	3	asimmetriche da -50 a 0	1301 + 1401	356,5	258	306,5 + 356,5	283,5	405	300	800A70DX	800A70SX
1520	1	symmetric 0	1401	356,5	258	356,5	283,5	405	300	800A70DX	800A70SX
1520 + 1620	2	asymmetric from 0 to +50	1401	356,5	258	356,5 + 406,5	283,5	405	300	800A70DX	800A70SX
1520 + 1620	4	asymmetric from +100 to +150	1201	306,5	258	406,5 + 456,5	283,5	355	250	800A60DX	800A60SX
1620 + 1720	3	asymmetric from -50 to 0	1501 + 1601	406,5	258	356,5 + 406,5	283,5	455	350	800A80DX	800A80SX
1620 + 1720	5	asymmetric from +150 to +200	1201	306,5	258	456,5 + 506,5	283,5	355	250	800A60DX	800A60SX
1720	1	symmetric 0	1601	406,5	258	406,5	283,5	455	350	800A80DX	800A80SX
1720 + 1820	2	asymmetric from 0 to +50	1601	406,5	258	406,5 + 456,5	283,5	455	350	800A80DX	800A80SX
1720 + 1820	4	asymmetric from +100 to +150	1401	356,5	258	456,5 + 506,5	283,5	405	300	800A70DX	800A70SX
1820 + 1920	3	asymmetric from -50 to 0	1701 + 1801	456,5	358	406,5 + 456,5	383,5	505	400	800B90DX	800B90SX
1820 + 1920	5	asymmetric from +150 to +200	1401	356,5	258	506,5 + 556,5	283,5	405	300	800A70DX	800A70SX
1920	1	symmetric 0	1801	456,5	358	456,5	383,5	505	400	800B90DX	800B90SX
1920 + 2020	2	asymmetric from 0 to +50	1801	456,5	358	456,5 + 506,5	383,5	505	400	800B90DX	800B90SX
1920 + 2020	4	asymmetric from +100 to +150	1601	406,5	258	506,5 + 556,5	283,5	455	350	800A80DX	800A80SX
2020 + 2120	3	asymmetric from -50 to 0	1801 + 1901	506,5	358	456,5 + 506,5	383,5	555	450	800B100DX	800B100SX
2020 + 2120	5	asymmetric from +150 to +200	1601	406,5	258	556,5 + 606,5	283,5	455	350	800A80DX	800A80SX
2120	1	symmetric 0	2001	506,5	358	506,5	383,5	555	450	800B100DX	800B100SX
2120 + 2220	2	asymmetric from 0 to +50	2001	506,5	358	506,5 + 556,5	383,5	555	450	800B100DX	800B100SX
2120 + 2220	4	asymmetric from +100 to +150	1801	456,5	358	556,5 + 606,5	383,5	505	400	800B90DX	800B90SX
2220 + 2320	5	asymmetric from +150 to +200	1801	456,5	358	606,5 + 656,5	383,5	505	400	800B90DX	800B90SX
2320 + 2420	4	asymmetric from +100 to +150	2001	506,5	358	606,5 + 656,5	383,5	555	450	800B100DX	800B100SX
2420 + 2520	5	asymmetric from +150 to +200	2001	506,5	358	656,5 + 706,5	383,5	555	450	800B100DX	800B100SX

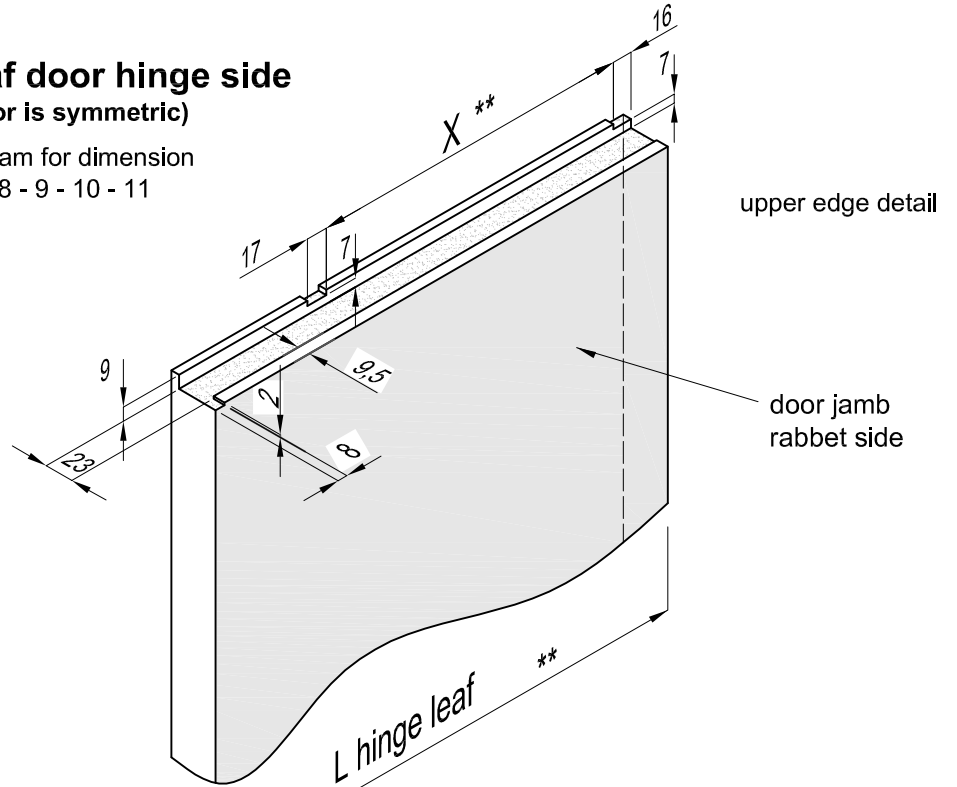
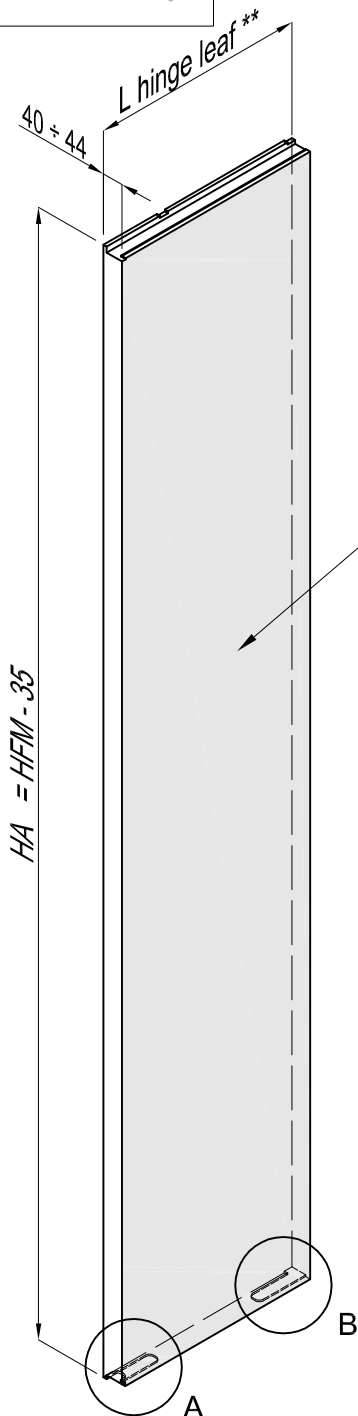


Part list		
ref	qty	description
a	1	Hinge leaf
b	1	Handle leaf
c	1	Hinge side door jamb
d	1	Handle side door jamb
e	1	Upper crossbeam



Left leaf door hinge side
(Right door is symmetric)

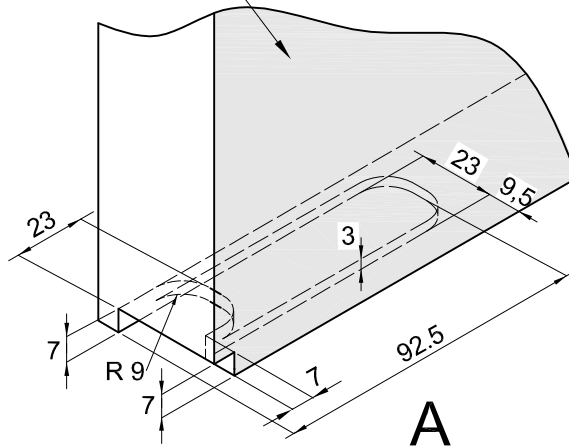
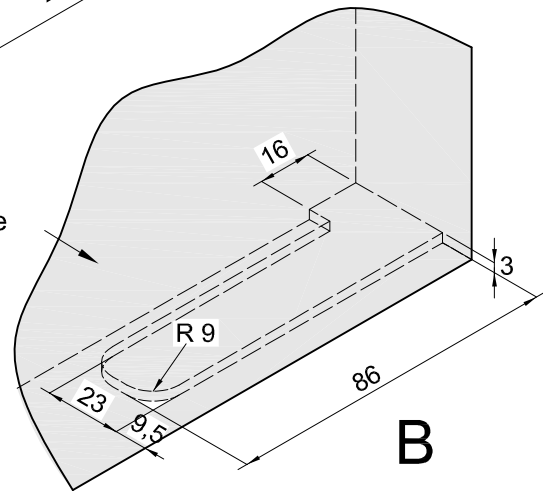
(**) See diagram for dimension pages 7-8-9-10-11



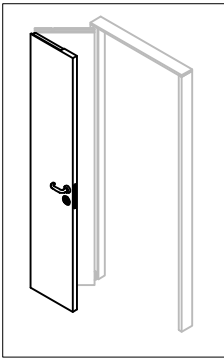
door jamb rabbet side

door jamb rabbet side

door jamb rabbet side

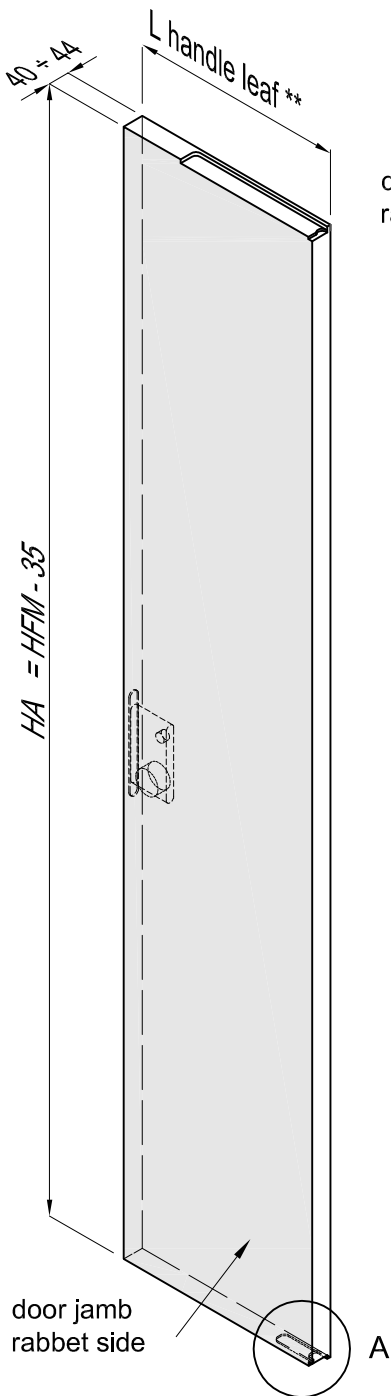


HFM = Wall Hole Height
HA = Leaf Height

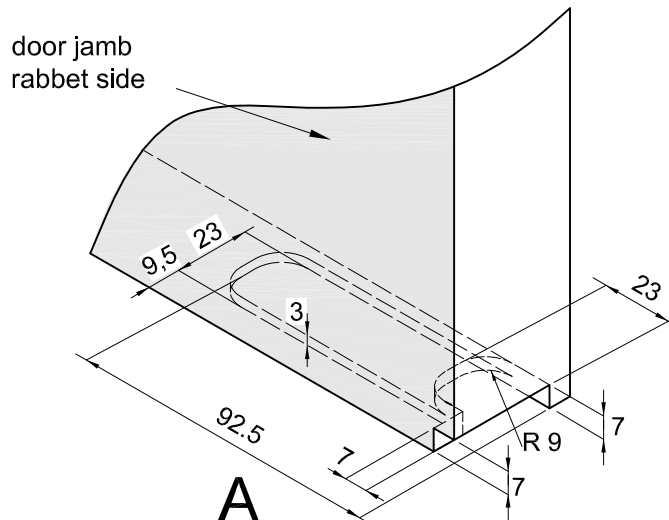
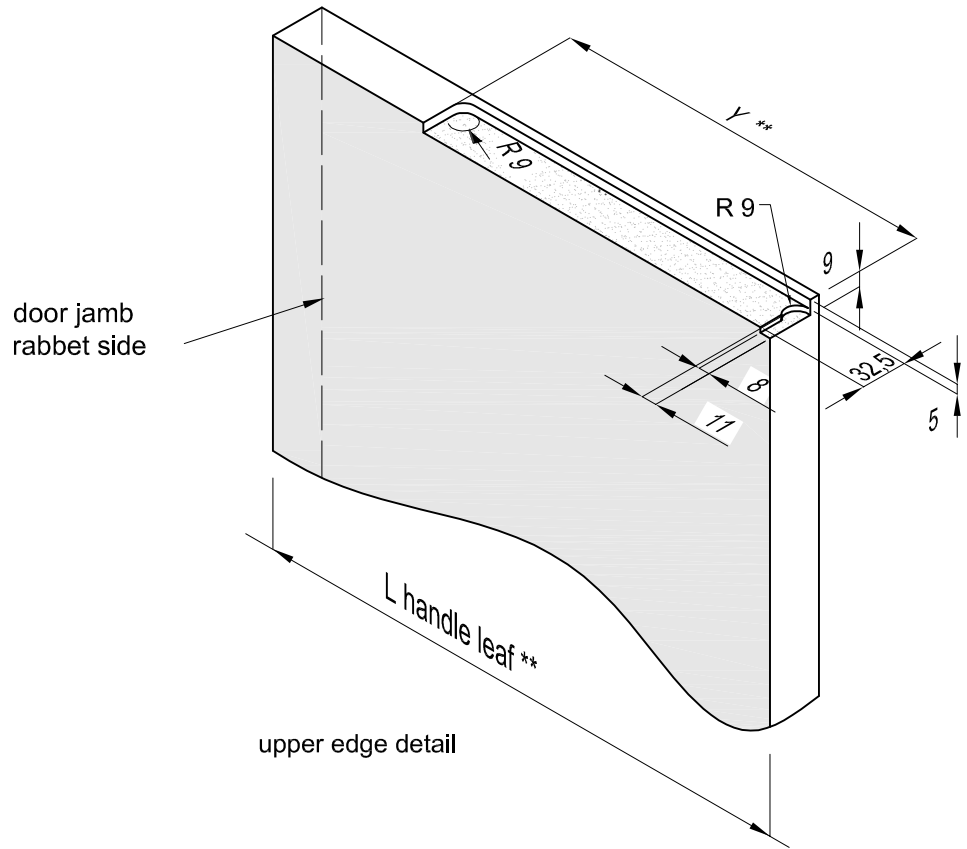


Left leaf door handle side
(Right door is symmetric)

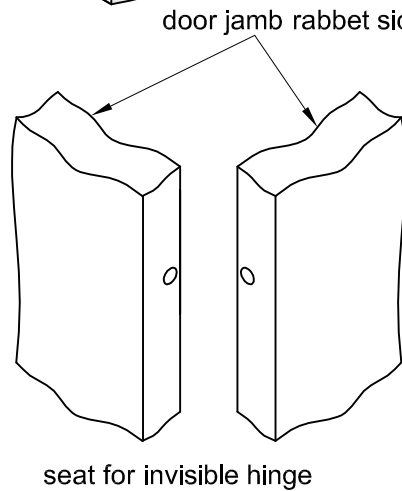
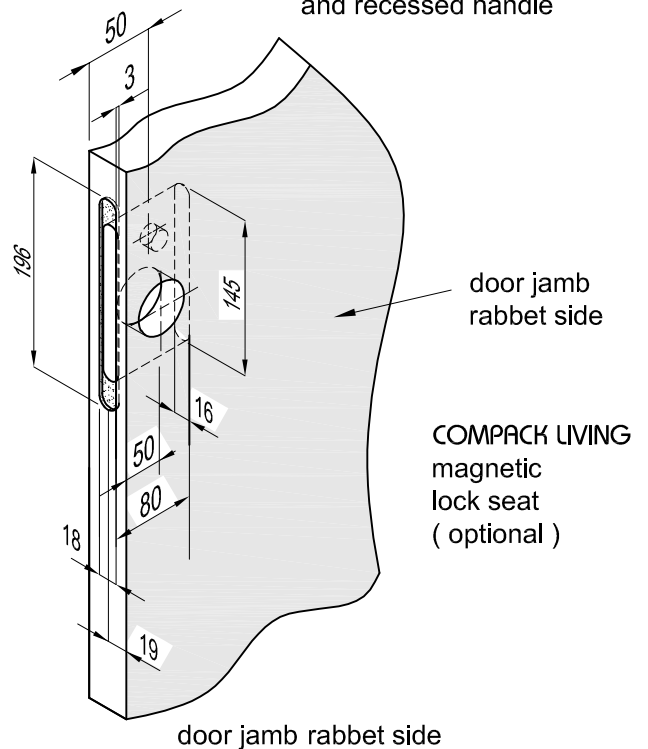
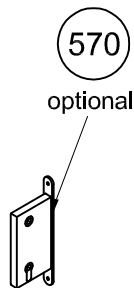
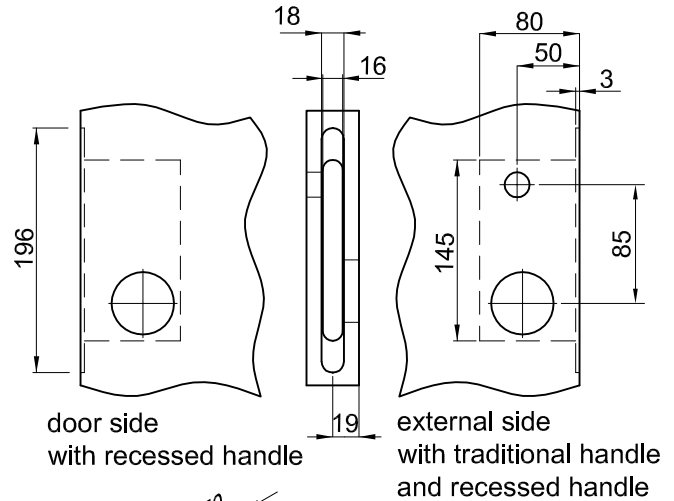
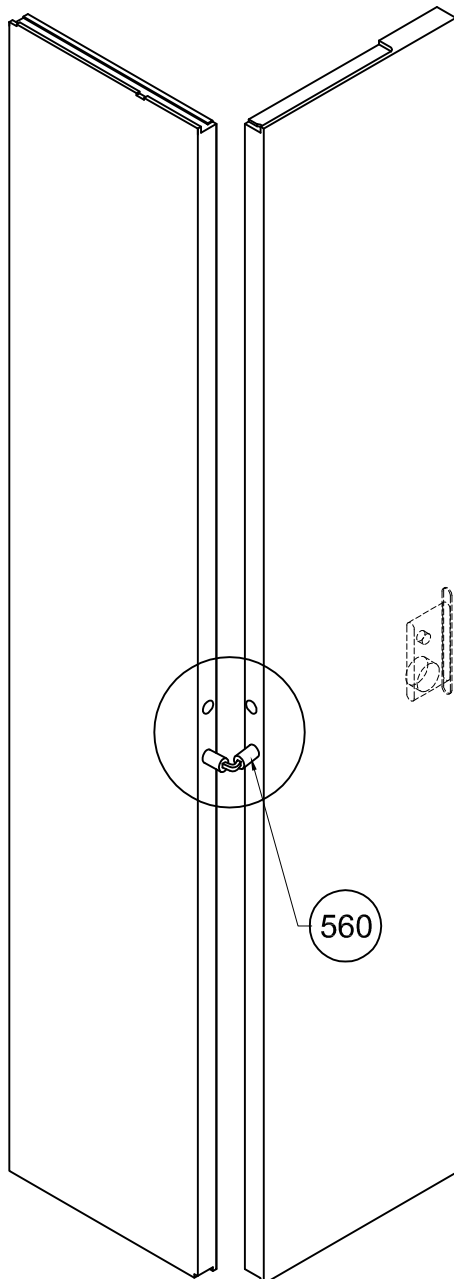
(**) See diagram for dimension
pages 7 - 8 - 9 - 10 - 11



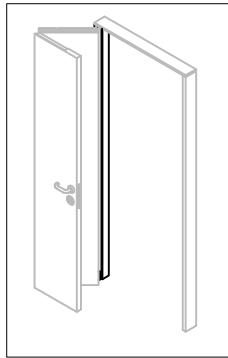
HFM = Wall Hole Height
HA = Leaf Height



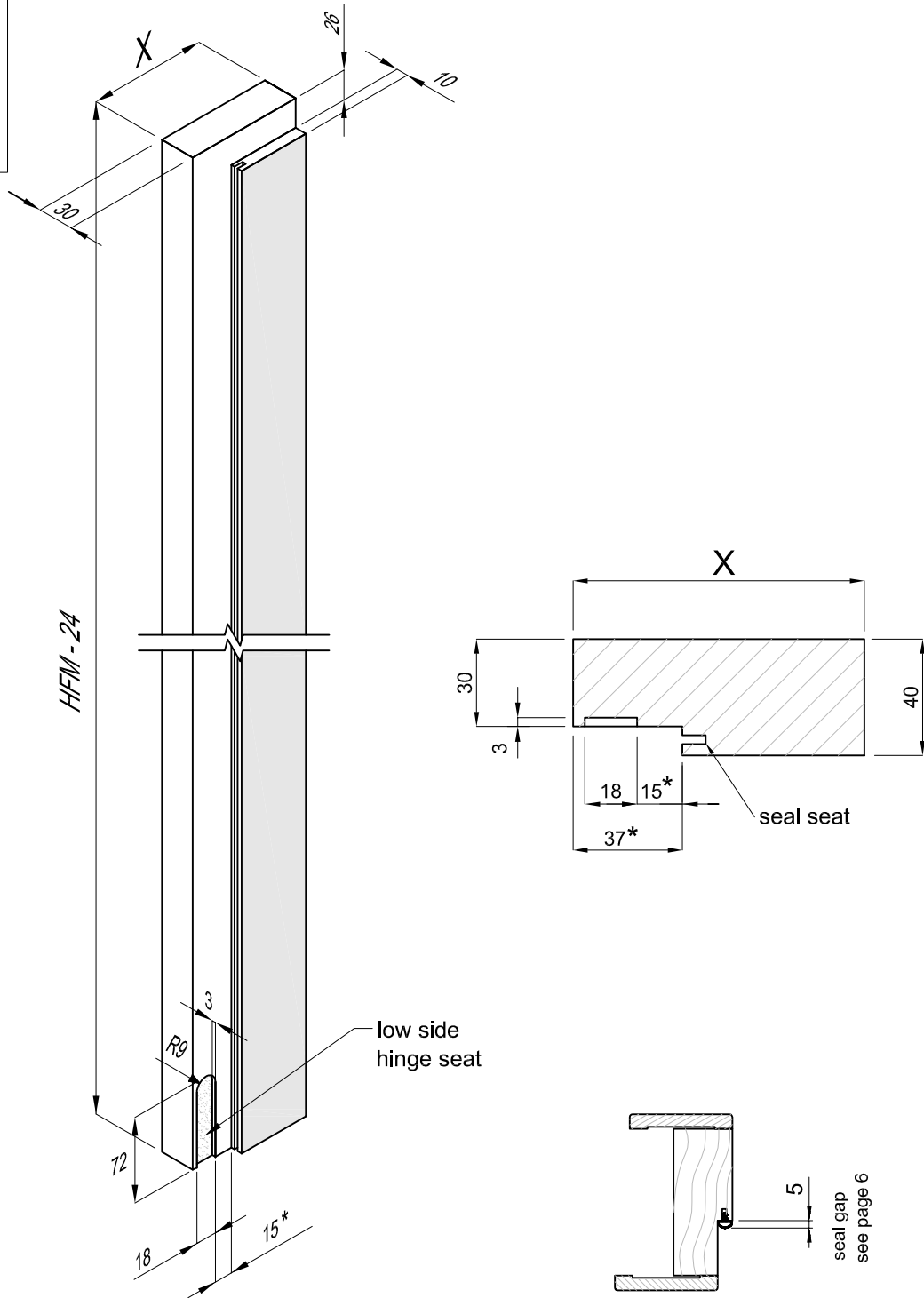
The workings indicated for lock seat are absolutely needed if a complete folding of the leaves pair in opening in the **version 1 - 2 - 3** is requested.



Part list		
ref	qty	description
560	1	Invisible hinge for alignment leaves
570	1	Magnetic lock Compack with strikers (optional)

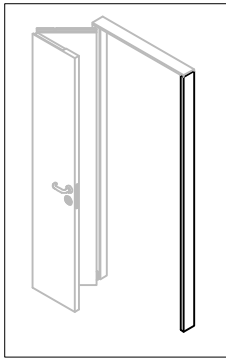


Door left jamb hinge side
(Right jamb is symmetric)

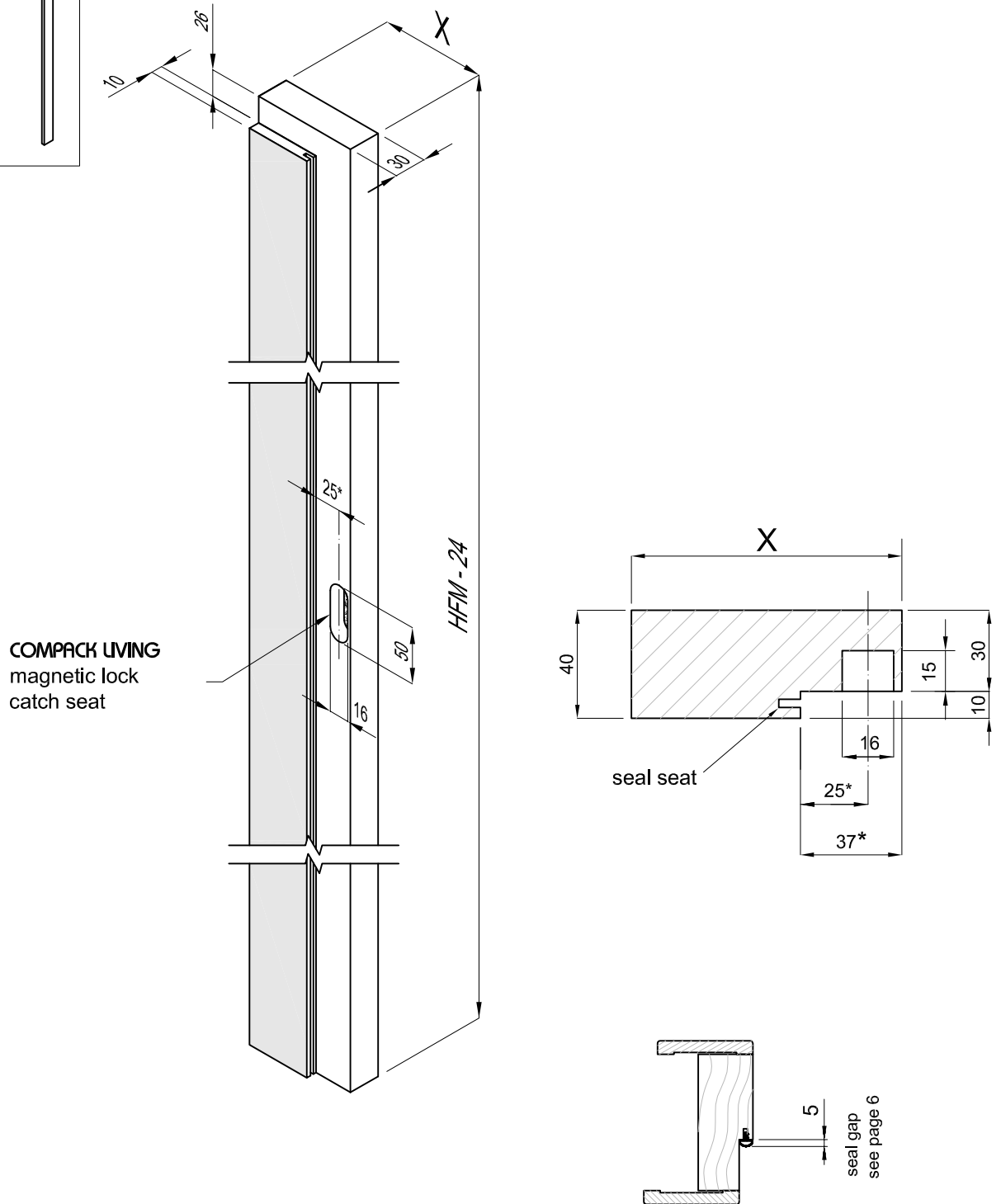


X = Wall Thickness
HFM = Wall Hole Height

The dimension marked with (*)
vary according to the seal gap dimensions.

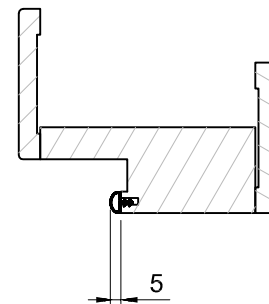
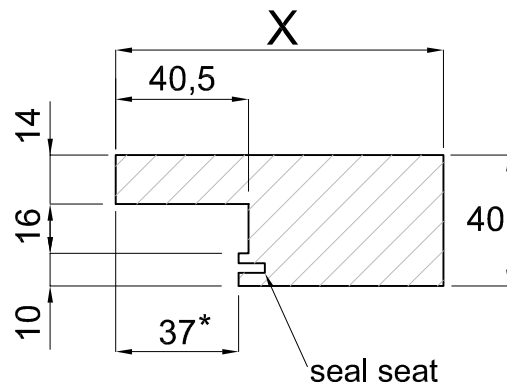
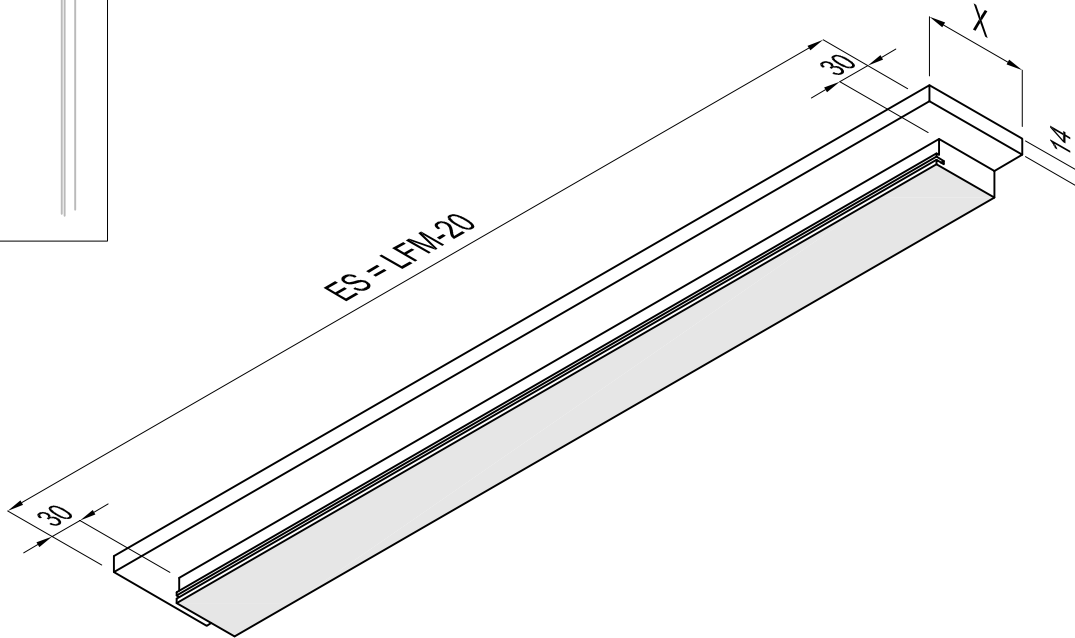
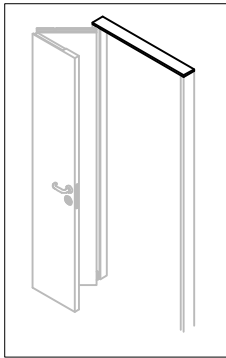


Door left jamb hinge side
(Jamb right is symmetric)



X = Wall Thickness
HFM = Wall Hole Height

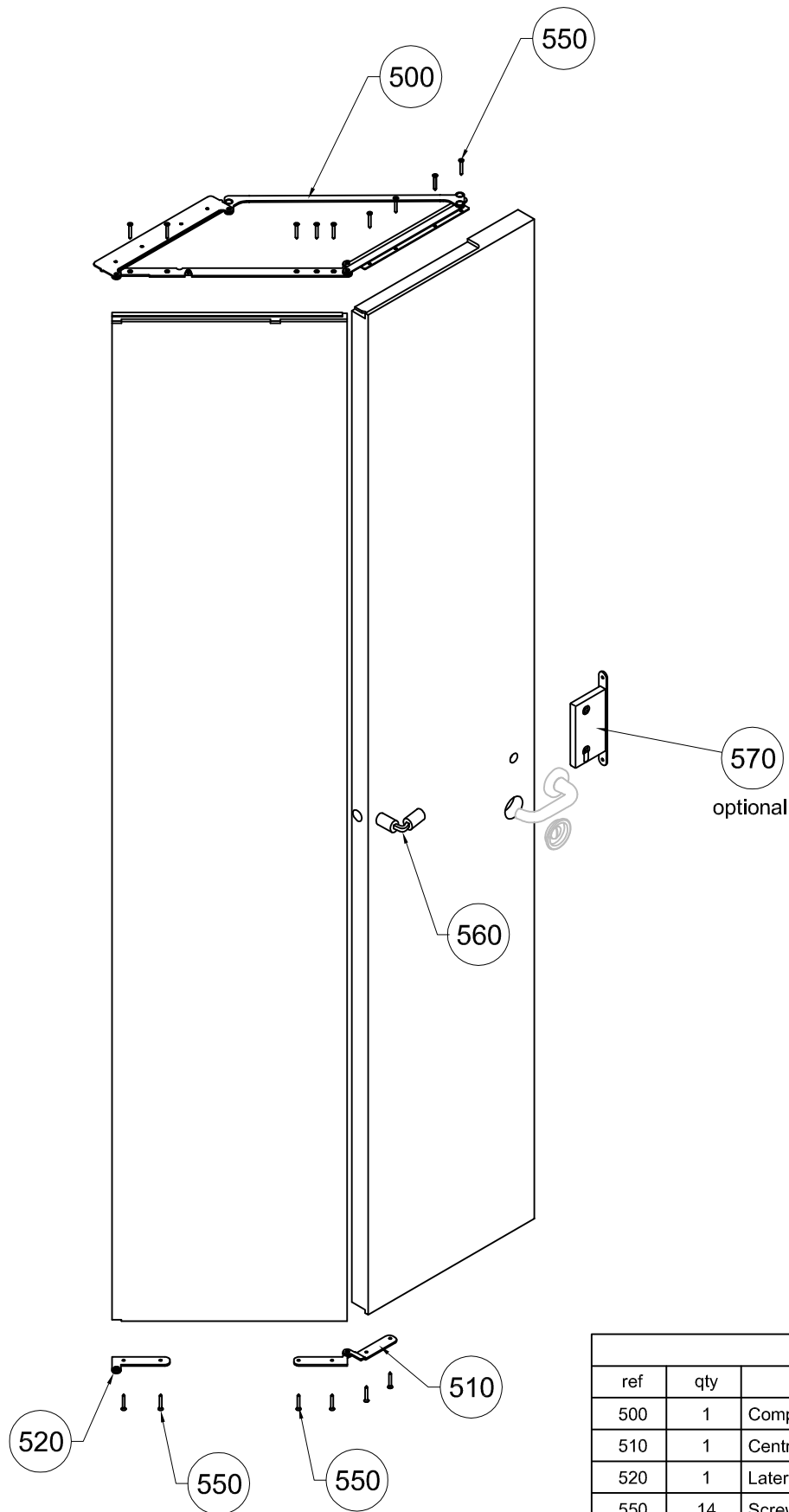
The dimension marked with (*)
vary according to the seal gap dimensions.



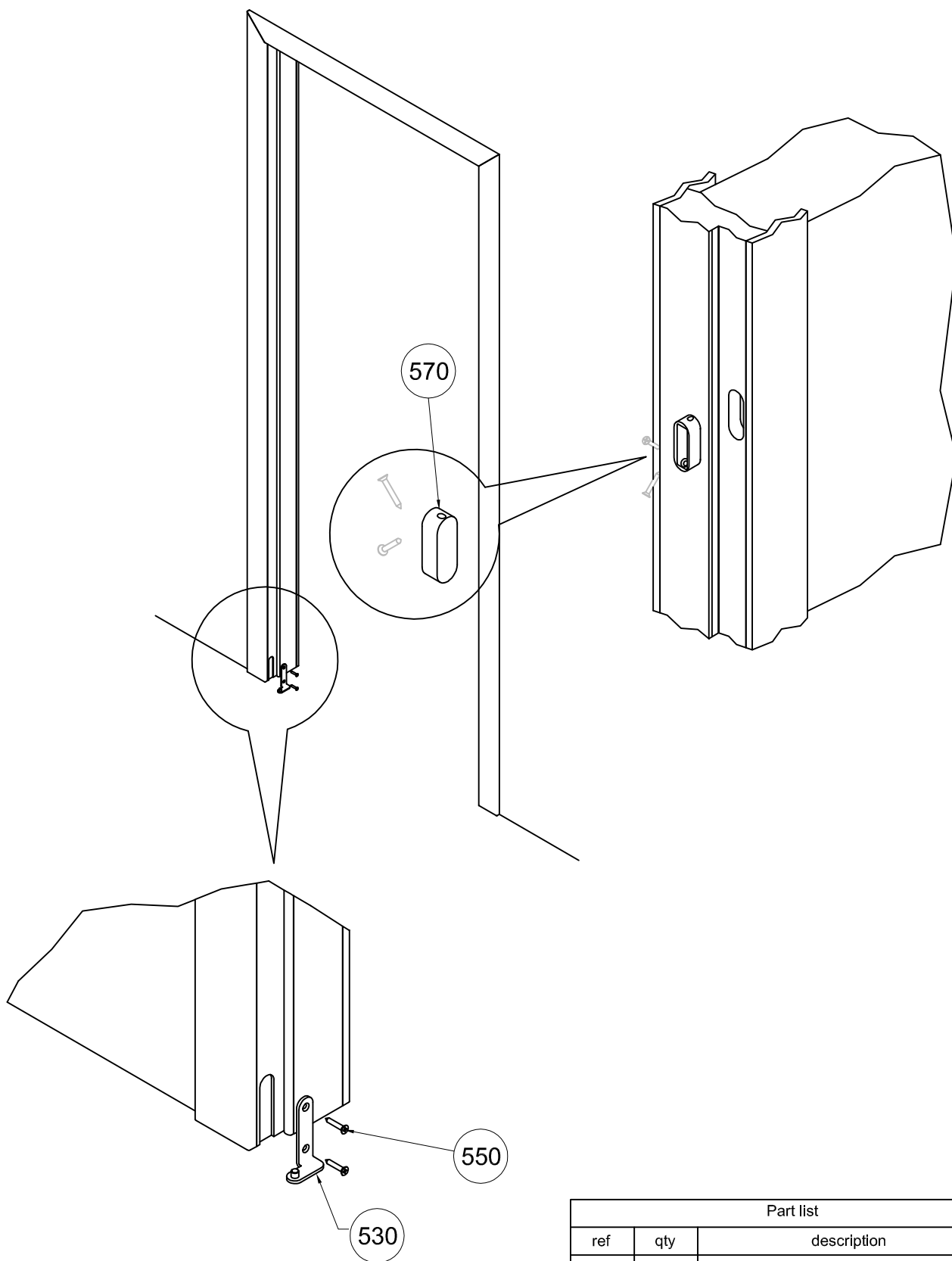
seal gap
see page 5

- X** = Wall Thickness
- ES** = Outer Jamb (= length of the upper crossbeam)
- LFM** = Wall Hole Width

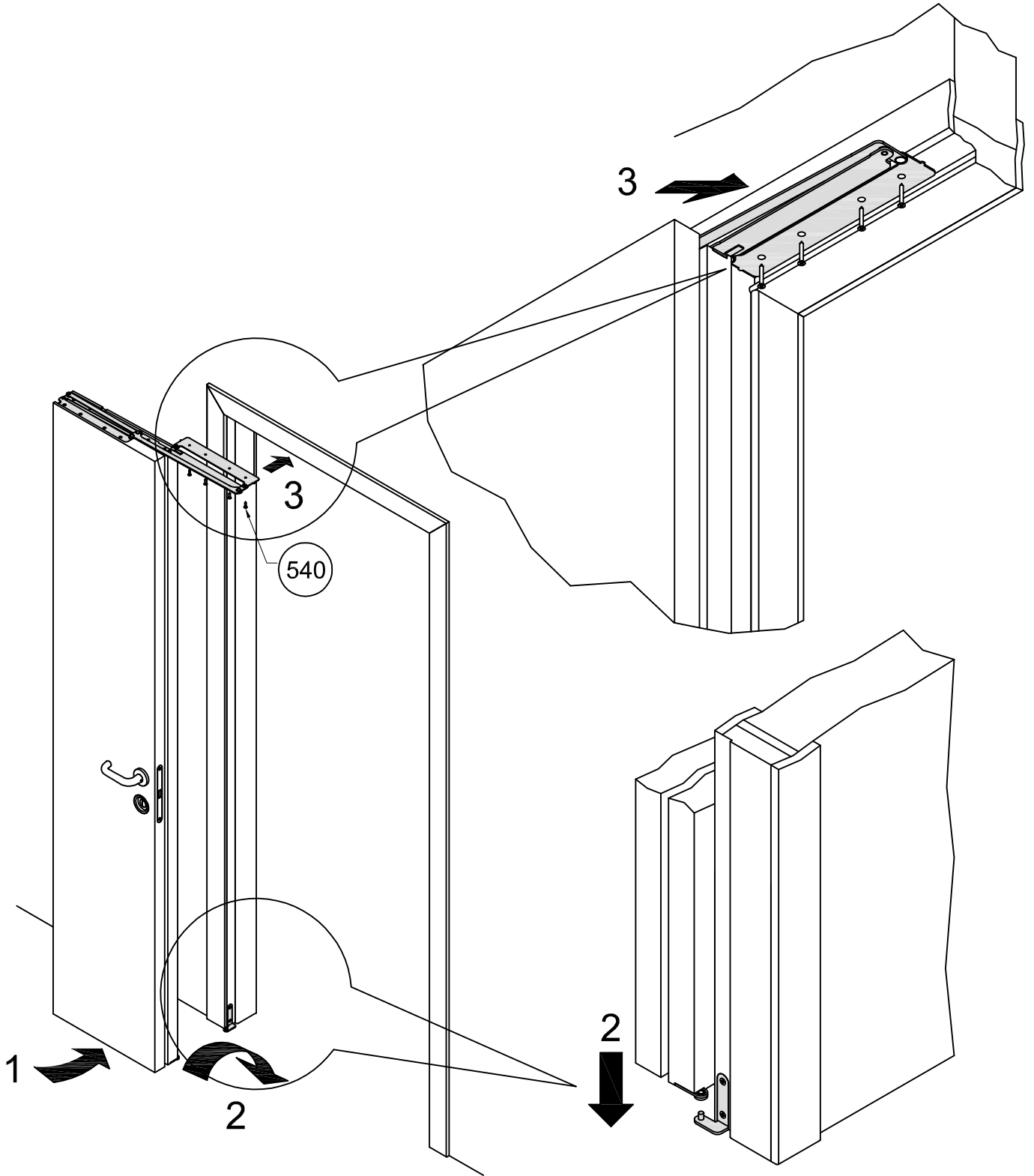
The dimension marked with (*)
vary according to the seal gap dimensions.



Part list		
ref	qty	description
500	1	Compack system Dx o Sx
510	1	Central hinge lower
520	1	Lateral hinge lower for leaf Dx o Sx
550	14	Screw TSP trx Ø 4x30
560	1	Invisible hinge for alignment leaf
570	1	Magnetic lock Compack with strikers (optional)



Part list		
ref	qty	description
530	1	Lateral hinge lower for leaf Dx o Sx
550	2	Screws TSPtrx Ø 4x30
570	1	Strikers magnetic lock COMPACT LIVING (optional)

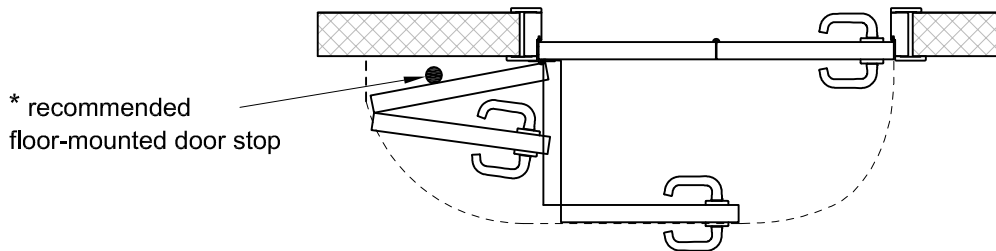


See sequence below for fitting the door:

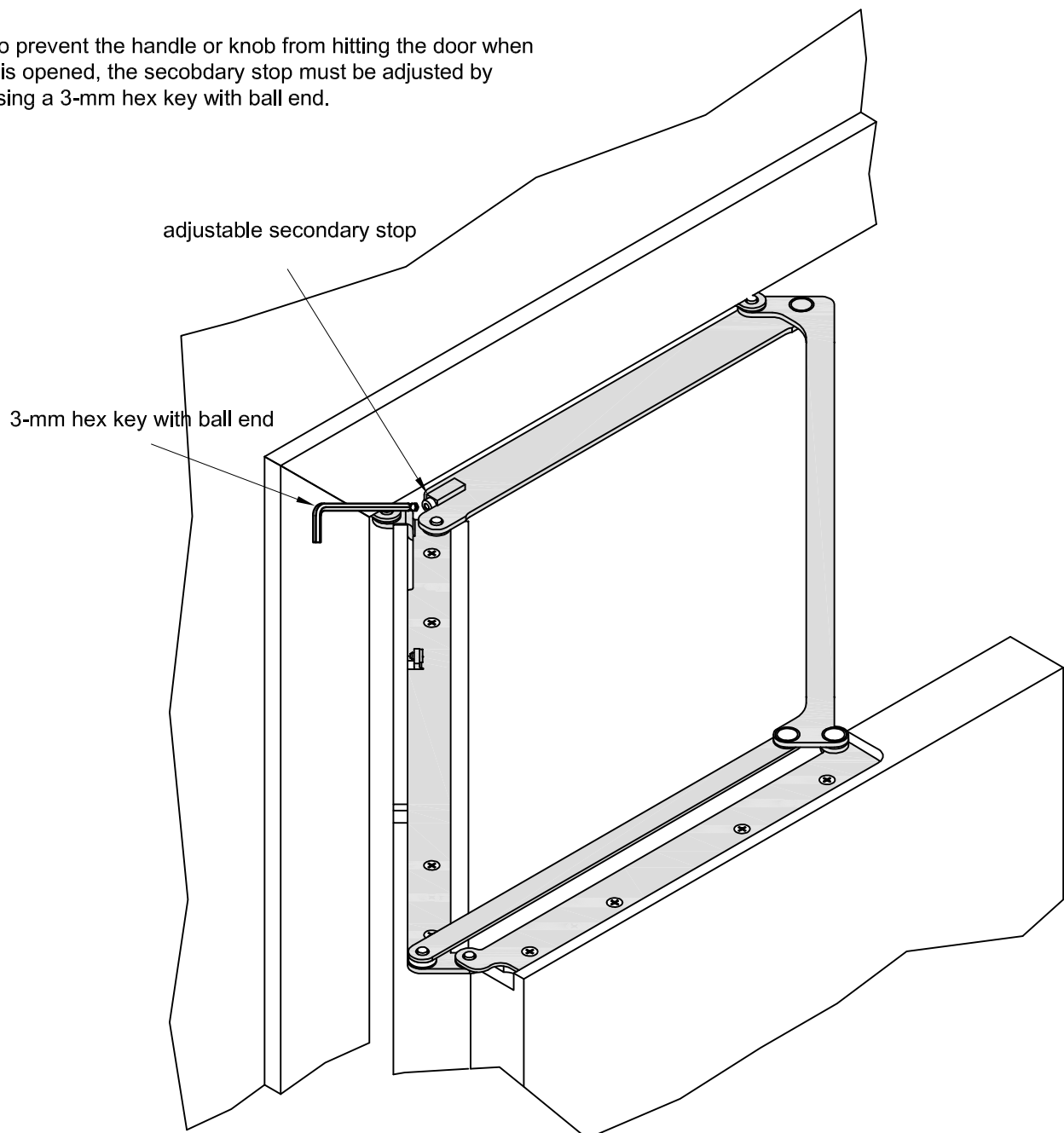
- 1- fold the door leaves against one another
- 2- mount the door on the pivot of the hinge lower
- 3- position the top hardware pieces **in perfect alignment with the corner** and screw in place (screws included)

Part list		
ref	qty	description
540	4	Screw TSP trx Ø 4x20

The adjustable secondary stop is used when traditional paired door handles or knobs are used for **COMPACT LIVING** version 1-2-3 (see page 3). This also makes it possible to use a traditional lock.



To prevent the handle or knob from hitting the door when it is opened, the secondary stop must be adjusted by using a 3-mm hex key with ball end.



*** Important:** after adjusting the stop, a floor-mounted doorstop should also be installed.



The company reserved the right to make, at any time, without prior notice, all technical changes it considers appropriate to improve the quality and the correct functionality of the products.

*All contents of this manual are covered by copyright.
It's forbidden even partial reproduction of text and drawings, without prior written permission of Celegon s.r.l.. Any abuse will be prosecuted according to law.*